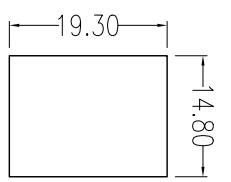
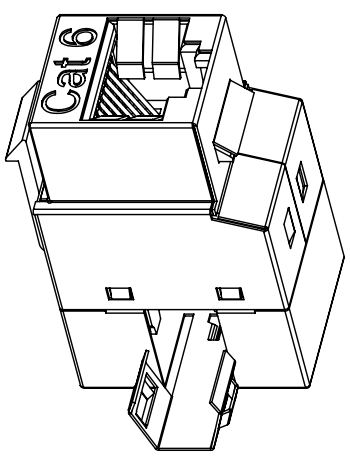
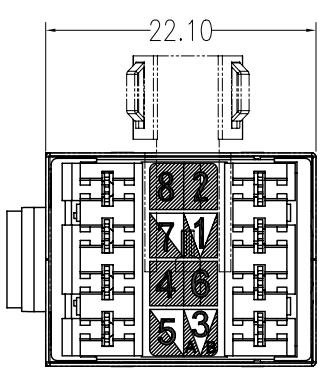
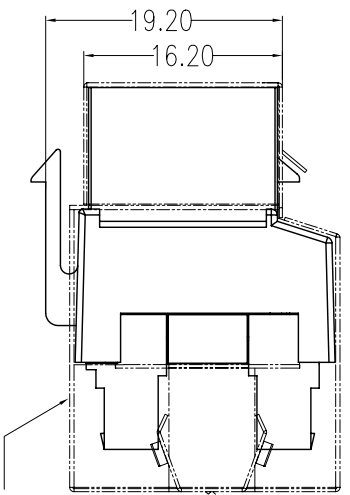
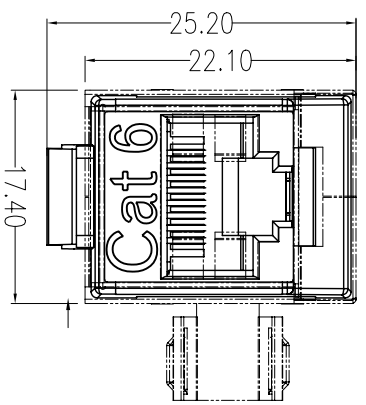
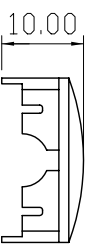
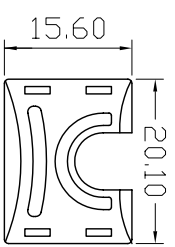
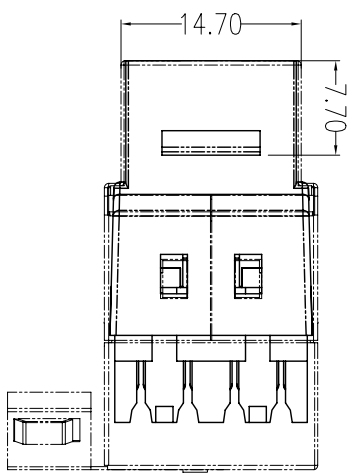


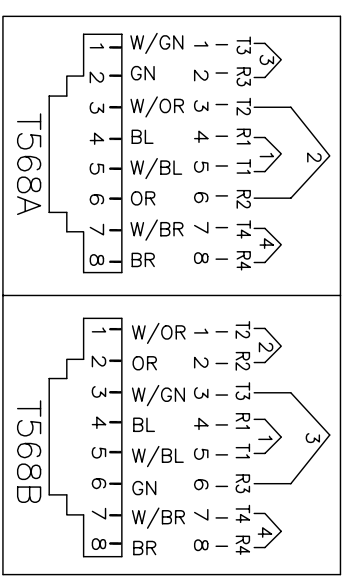
REVISIONS				
ZONE	REV	DESCRIPTION	DATE	APPROVED
	1			
	2			
	3			



SUGGESTED PANEL CUTOUT



CAP



MATERIAL
Housing: ABS, UL 94V-0
IDC plastic: PC, UL 94V-0
IDC contact: Phosphor Bronze with 200u
" Tin over 100u" Nickel undercoat
Spring Wire: Phosphor Bronze with 50u
" Gold over 100u" Nickel undercoat
Temperature: -40°C ~ 68°C
Humidity: 10% ~ 90% RH
Modular jack: 750 mating cycles
Idc block: 200 termination cycles
Shield: Bronze over Nickel

ELECTRICAL
Current rating: 1.5 Amps
Insulation resistance: 500 MOhm
Contact resistance: 20 mOhm
DC resistance: 0.1 Ohm
Dielectric withstanding voltage: 1000 V

COMMON TOLERANCE		SHEET OF		ALL COPY RIGHTS RESERVED	
CLASS	A	B	SIZE	A4	DAN-CHIEF ENTERPRISE CO., LTD.
DIMENSION	±0.05	±0.1	DIA	mm	TITLE
L<=3	±0.05	±0.1	SCALE	3:2	3013A-F8FS-C6ABL
3<L<=6	±0.05	±0.1	DATE	2005.01.27	DRAWING NO. K-072-20
6<L<=16	±0.1	±0.15	DESIGN		DRAWN
16<L<=30	±0.1	±0.2			CHECKED
30<L<=120	±0.15	±0.3			
120<L<=315	±0.2	±0.5			

Cat 6
UL CERTIFIED
UL US LISTED
ACCORDING TO TIA/EIA-568-B-2-1
REQUIREMENTS
FILE NO. E145249