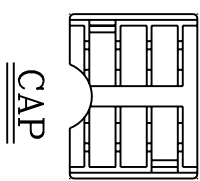
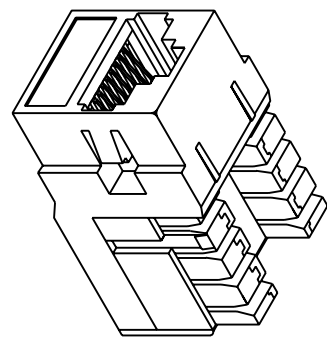
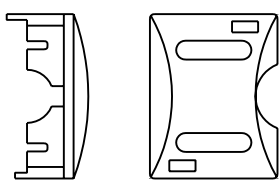
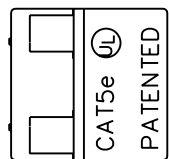
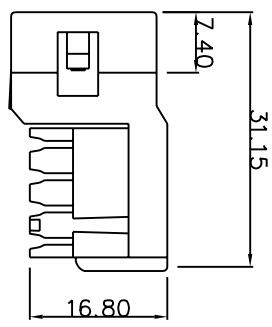
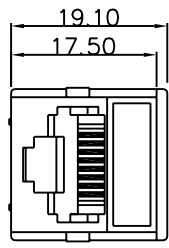
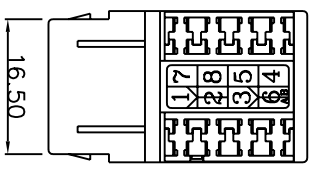
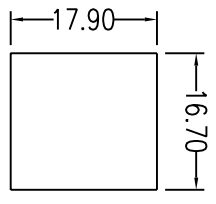


REVISIONS				
ZONE	REV	DESCRIPTION	DATE	APPROVED



CAP

CAT 5e  
UL CERTIFIED  
ACCORDING TO TSB-40A  
REQUIREMENTS  
FILE NO. E145249

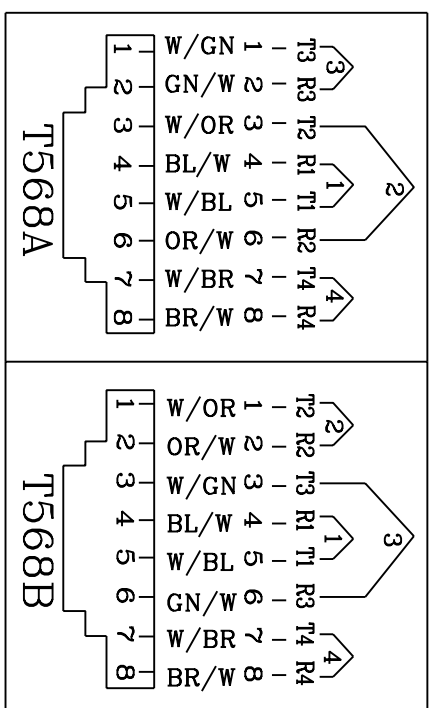


SUGGESTED PANEL  
CUTOUT

PHYSICAL SPECIFICATIONS:

PLASTIC: UL 94V-0 THERMOPLASTIC

JACK WIRE: 50u" GOLD PLATING OVER 100u" NICKEL UNDER PLATE



COMMON TOLERANCE		SHEET 1 OF 1		ALL COPY RIGHTS RESERVED	
CLASS	A	B	SIZE	A4	DCE DAN-CHEF ENTERPRISE CO., LTD.
DIMENSION	±0.05	±0.1	DIA	mm	TITLE
L<=3	±0.05	±0.1	SCALE		3013A-ET8-C5eABL
3<L<=6	±0.05	±0.1	DATE	JAN.7.99	DRAWING NO.
6<L<=16	±0.1	±0.15	DESIGN		K-071-2
16<L<=30	±0.1	±0.2	DRAWN		CHECKED
30<L<=120	±0.15	±0.3			
120<L<=315	±0.2	±0.5			