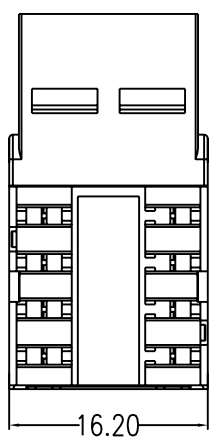
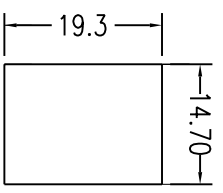
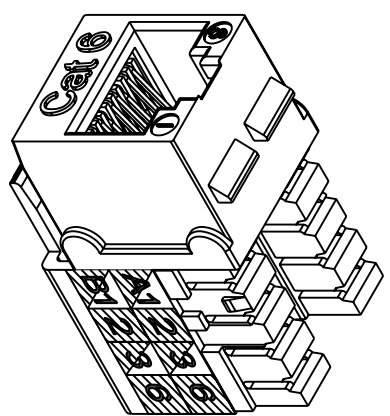
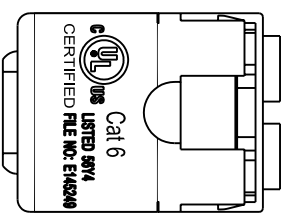
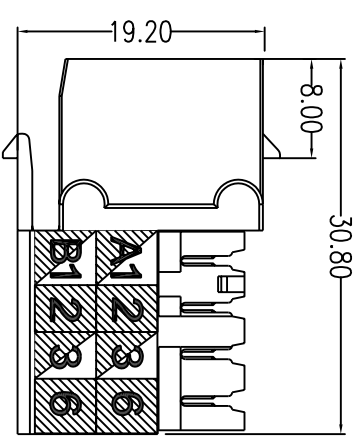
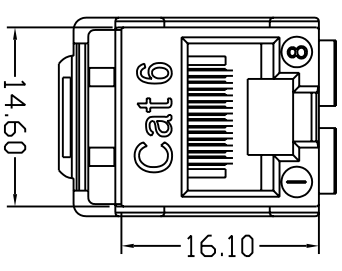
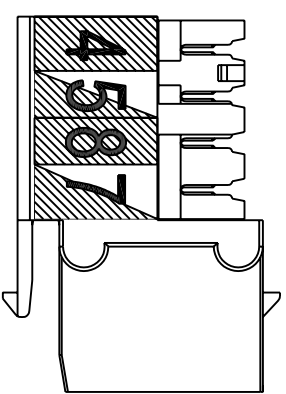


REVISIONS				
ZONE	REV	DESCRIPTION	DATE	APPROVED
	A			
	B			



SUGGESTED PANEL CUTOUT

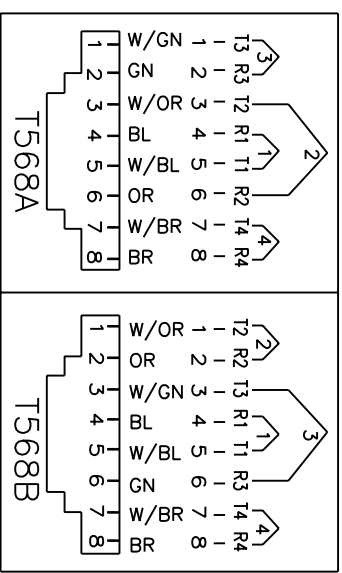
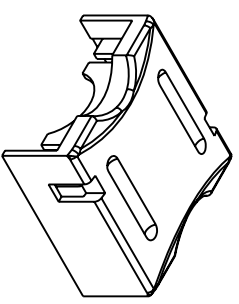
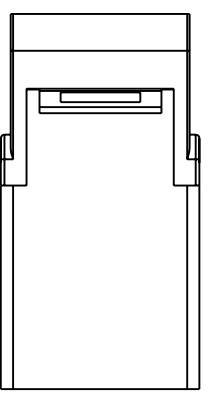


Cat 6
UL CERTIFIED US LISTED

ACCORDING TO TIA/EIA-568-B-2-1 REQUIREMENTS
FILE NO. E145249

MATERIAL

- Housing: ABS, UL 94V-0
- IDC plastic: PC, UL 94V-0
- IDC contact: Phosphor Bronze with 200u
- " Tin over 100u" Nickel undercoat
- Spring Wire: Phosphor Bronze with 50u
- " Gold over 100u" Nickel undercoat
- Temperature: -40°C ~ 68°C
- Humidity: 10% ~ 90% RH
- Modular jack: 750 mating cycles
- Idc block: 200 termination cycles



ELECTRICAL

- Current rating: 1.5 Amps
- Insulation resistance: 500 MOhm
- Contact resistance: 20 mOhm
- DC resistance: 0.1 Ohm
- Dielectric withstanding voltage: 1000 V

COMMON TOLERANCE		SHEET OF		ALL COPY RIGHTS RESERVED	
CLASS	A	B	SIZE	A4	DAN-CHIEF ENTERPRISE CO., LTD.
DIMENSION			DIA	mm	TITLE
L <= 3	±0.05	±0.1	SCALE	3:2	3013A-EM8HM-C6
3 < L <= 6	±0.05	±0.1	DATE	2004.07.12	DRAWING NO. K-102-14
6 < L <= 16	±0.1	±0.15	DESIGN		CHECKED
16 < L <= 30	±0.1	±0.2			
30 < L <= 120	±0.15	±0.3			
120 < L <= 315	±0.2	±0.5			