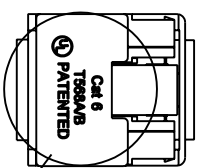
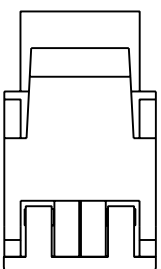
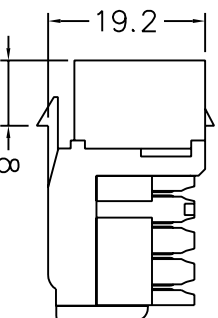
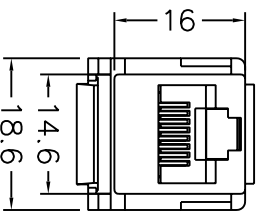
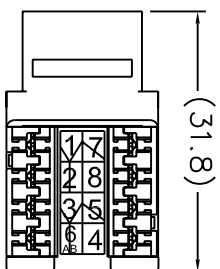


REVISIONS			
ZONE/REV	DESCRIPTION	DATE	APPROVED

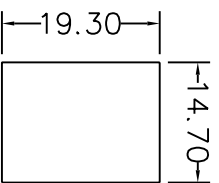
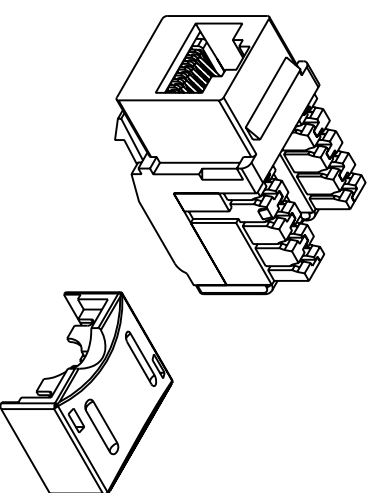


UL PATENTED

Cat 6
T568A/B

ACCORDING TO EIA/TIA-568-B.2-1.
REQUIREMENTS
FILE NO.E145249

Cat 6
UL CERTIFIED
UL US LISTED

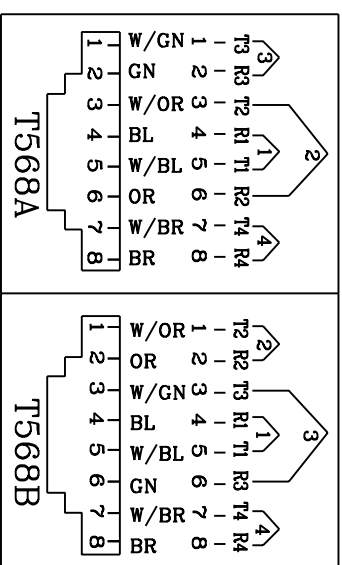
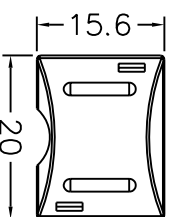


SUGGESTED PANEL
CUTOOUT

PHYSICAL SPECIFICATIONS:

PLASTIC: UL 94V-0 THERMOPLASTIC

JACK WIRE: 50u" GOLD PLATING OVER 100u" NICKEL UNDER PLATE



COMMON TOLERANCE		SHEET 1 OF 1		ALL COPY RIGHTS RESERVED	
CLASS	A	B	SIZE	A4	DCE DAN-CHIEF ENTERPRISE CO.,LTD.
DIMENSION	L<=3 ±0.07 ±0.1	L<=6 ±0.05 ±0.1	UNIT:	mm	TITLE
	3<L<=6 ±0.05 ±0.1		SCALE:		3013A-E18-C6ABL
	6<L<=16 ±0.1 ±0.15		DATE:	2002.09.25	DRAWING NO. K-100-1
	16<L<=30 ±0.1 ±0.2		DESIGN		CHECKED
	30<L<=120 ±0.15 ±0.3				
	120<L<=315 ±0.2 ±0.5				