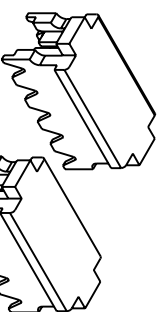
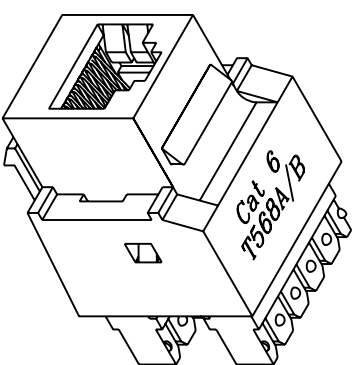
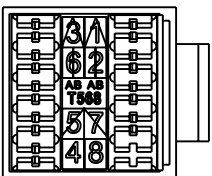
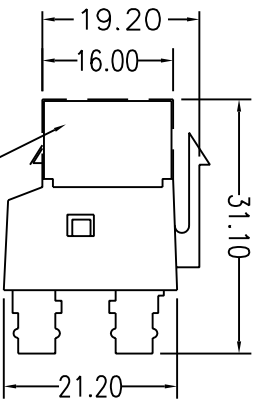
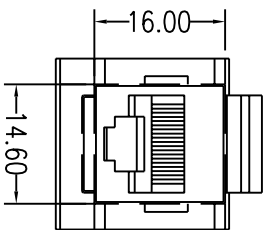
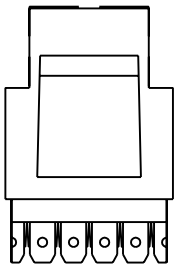
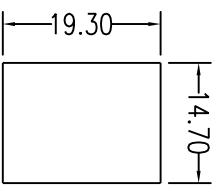


REVISIONS			
ZONE/REV	DESCRIPTION	DATE	APPROVED

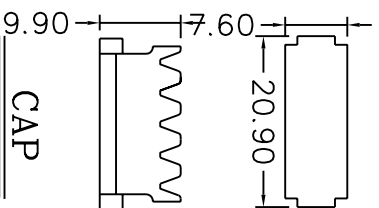
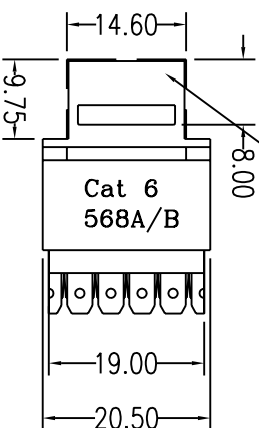


Cat 6
UL CERTIFIED  **US LISTED**

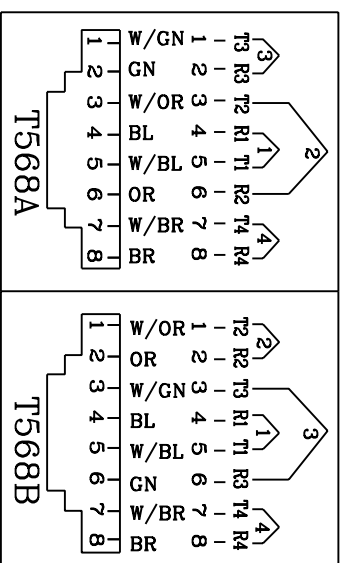
ACCORDING TO TIA/EIA-568-B.2-1.
REQUIREMENTS
FILE NO.E145249



SUGGESTED PANEL
CUTOUT




CAP



PHYSICAL SPECIFICATIONS:

Plastic: UL 94V-0 THERMOPLASTIC
Shield: Bronze with Nickel plated.
Jack wire: 50u" GOLD PLATING OVER 100u" NICKEL UNDER PLATE

COMMON TOLERANCE		SHEET 1 OF 1		ALL COPY RIGHTS RESERVED		
CLASS	A	B	SIZE	A4	TITLE	
DIMENSION	L <= 3 ±0.07 ±0.1				 DAN-CHIEF ENTERPRISE CO., LTD. 3013A-C8S-C6ABL-1	
	3 <= 6 ±0.05 ±0.1		UNIT:	mm		
	6 <= 16 ±0.1 ±0.15		SCALE:			
	16 <= 30 ±0.1 ±0.2		DATE:	2001.11.07		
	30 <= 120 ±0.15 ±0.3		DRAWING NO.	K-060-10		
	120 <= 315 ±0.2 ±0.5		DESIGN		DRAWN	CHECKED