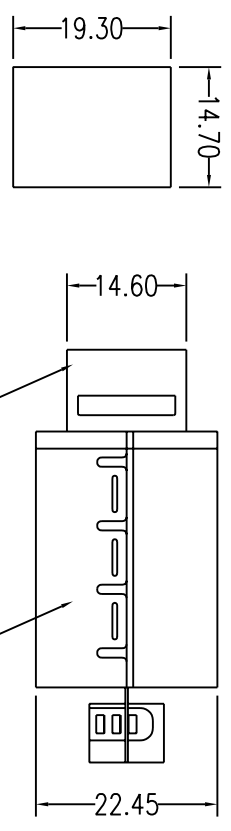
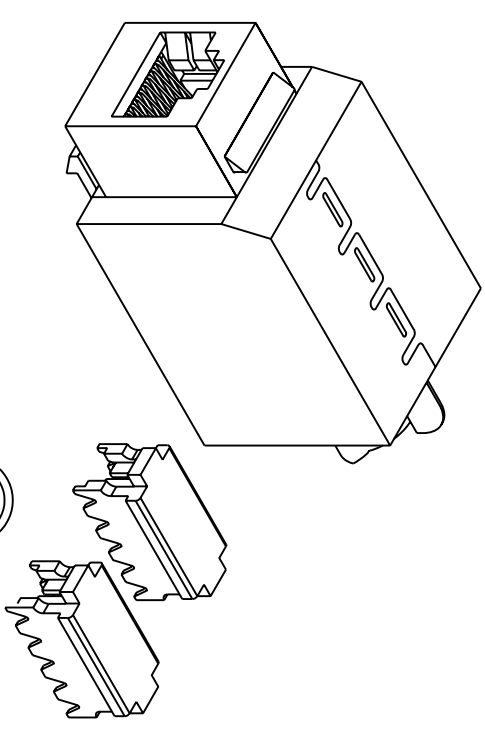
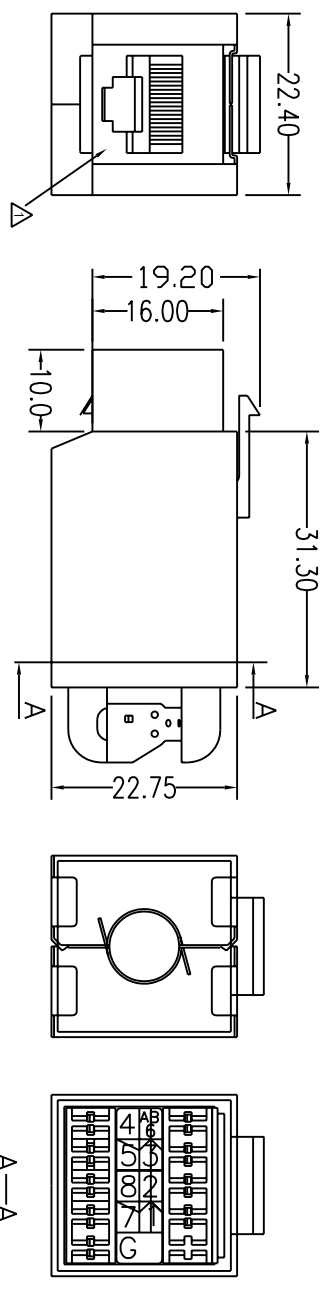


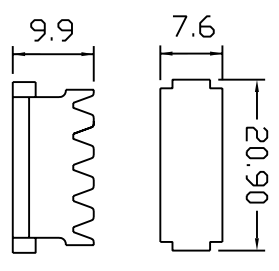
REVISIONS				
ZONE	REV	DESCRIPTION	DATE	APPROVED
	A	modified housing	'03.08.19	
	A			



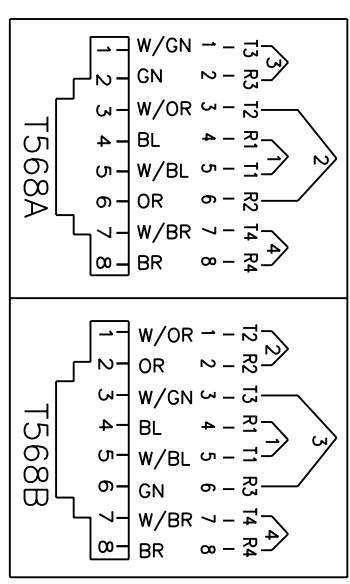
SUGGESTED PANEL CUTOUT

SHIELDED

FULL SHIELDED CASE



IDC CAP



Cat 6
UL CERTIFIED

ACCORDING TO TIA/EIA-568-B.2-1 REQUIREMENTS
FILE NO. E145249



MATERIAL

Housing: Chi-Mei PA-765A ABS, UL 94V-0, density 1.17 g/cm, tensile strength 400 kg/cm ^ 2,
 Rockwell-Hardness R-100, Dielectric Constant 3 at 1MHz
 IDC plastic: Teijin LN-2250G PC, UL 94V-0, density 1.22 g/cm, tensile strength 69 Mpa,
 Rockwell-Hardness M-88, Dielectric Constant 3.12 at 1MHz
 IDC contact: Phosphor Bronze 5191 with 200u" Tin over 100u" Nickel undercoat
 PCB: Plate thickness 1 mm , FR-4 UL94-V0 dielectric constant 4-4.5 at 1 MHz
 Insert: Chi-Mei PA-765A ABS, UL 94V-0, density 1.17 g/cm, tensile strength 400 kg/cm ^ 2,
 Rockwell-Hardness R-100, Dielectric Constant 3 at 1MHz
 Spring Wire: Phosphor Bronze 5191 with 50u" Gold over 100u" Nickel undercoat
 Shield: 200u" Nickel Plating over Brass (C2680P-1/2H)

COMMON CLASS	TOLERANCE	A	B	SHEET OF	ALL COPY RIGHTS RESERVED
DIMENSION		±0.05	±0.1	A4	DCE DAN-CHIEF ENTERPRISE CO., LTD.
L <= 3		±0.05	±0.1	DIA	mm
3 < L <= 6		±0.05	±0.1	SCALE	1:1
6 < L <= 16		±0.1	±0.15	DATE	2003.10.08
16 < L <= 30		±0.1	±0.2	DRAWING NO.	K-060-15
30 < L <= 120		±0.15	±0.3	DESIGN	DRAWN
120 < L <= 315		±0.2	±0.5	CHECKED	

3013A-C8FS-C6ABL