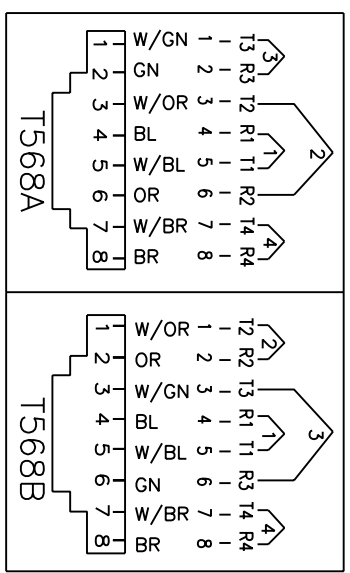
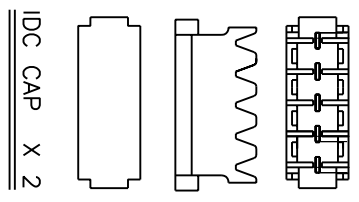
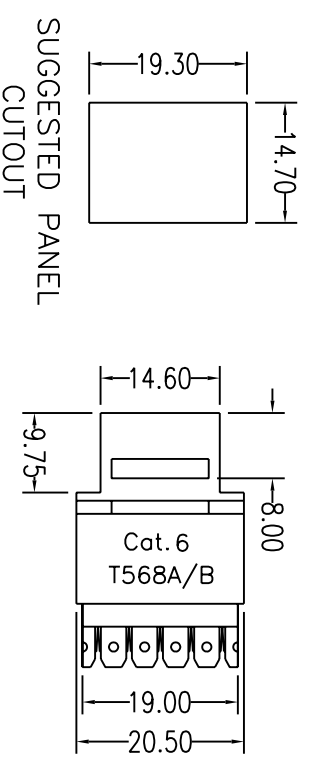
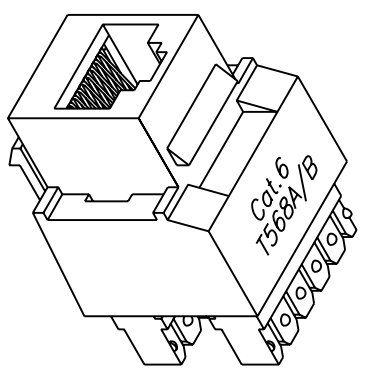
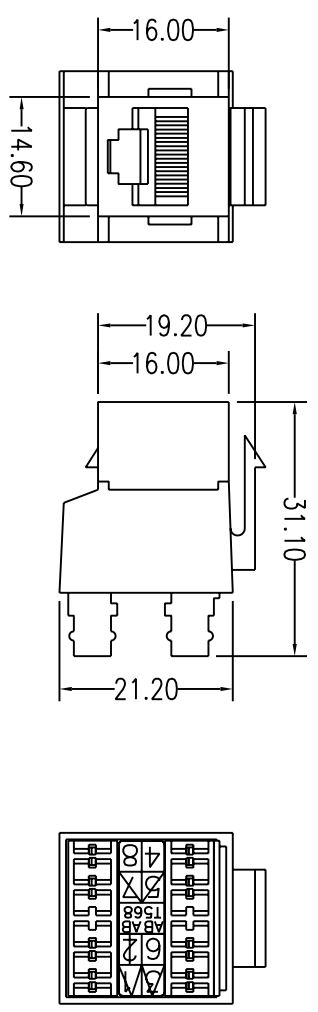


REVISIONS				
ZONE	REV	DESCRIPTION	DATE	APPROVED
	1			
	2			
	3			
	4			



Cat 6
UL CERTIFIED



US LISTED

ACCORDING TO TIA/EIA-568-B.2-1
REQUIREMENTS
FILE NO. ET145249

MATERIAL
 Housing: ABS, UL 94V-0
 IDC plastic: PC, UL 94V-0
 IDC contact: Phosphor Bronze with 200u
 " Tin over 100u" Nickel undercoat
 Spring Wire: Phosphor Bronze with 50u
 " Gold over 100u" Nickel undercoat
 Temperature: -40°C ~ 70°C
 Humidity: 10% ~ 90% RH
 Modular jack: 750 mating cycles
 Idc block: 200 termination cycles

ELECTRICAL
 Current rating: 1.5 Amps
 Insulation resistance: 500 MOhm
 Contact resistance: 20 mOhm
 DC resistance: 0.1 Ohm
 Dielectric withstanding voltage: 1000 V

COMMON TOLERANCE		SHEET OF		ALL COPY RIGHTS RESERVED	
CLASS	A	B	SIZE	A4	DCE DAN-CHIEF ENTERPRISE CO., LTD.
DIMENSION	±0.05	±0.1	DIA	mm	TITLE
L <= 3	±0.05	±0.1	SCALE	FREE	3013A-C8-C6ABL-1-BK
3 < L <= 6	±0.05	±0.1	DATE	2003.02.12	DRAWING NO. K-104
6 < L <= 16	±0.1	±0.15	DESIGN		DRAWN
16 < L <= 30	±0.1	±0.2			CHECKED
30 < L <= 120	±0.15	±0.3			
120 < L <= 315	±0.2	±0.5			