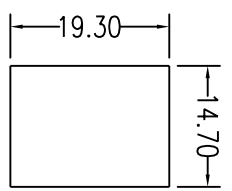
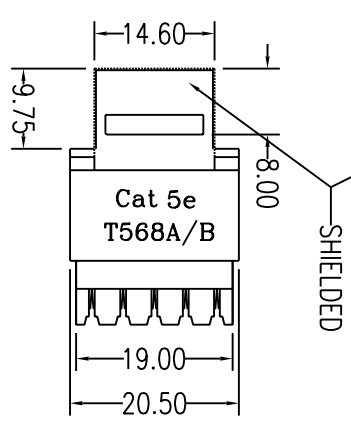
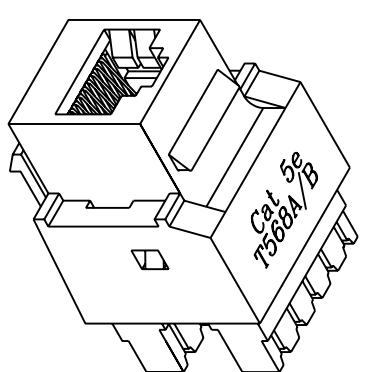
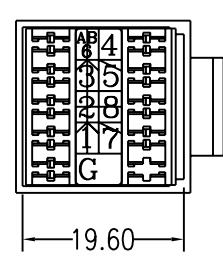
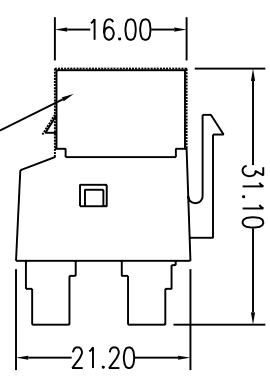
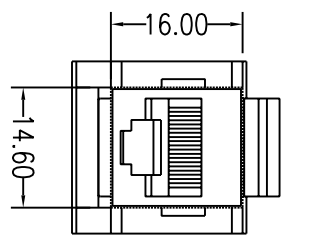
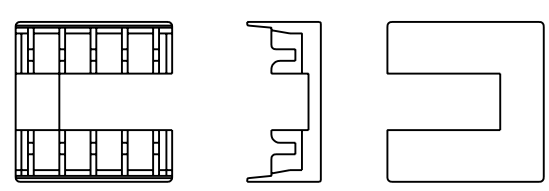


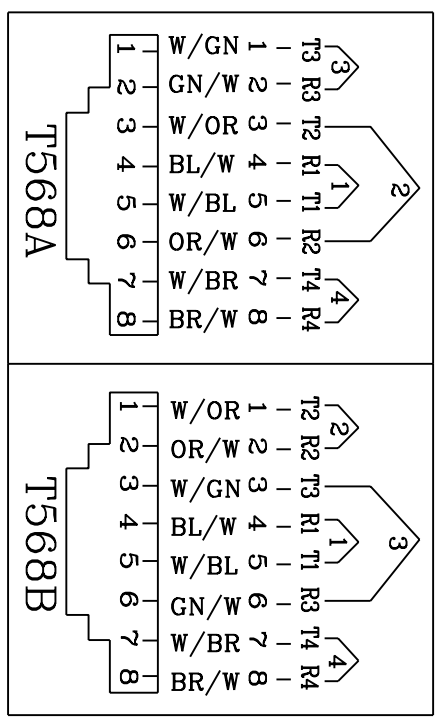
REVISIONS				
ZONE	REV	DESCRIPTION	DATE	APPROVED



SUGGESTED PANEL CUTOUT



IDC CAP X 1



**Cat 5e**  
**UL CERTIFIED**  
 ACCORDING TO TSB-40A  
 REQUIREMENTS  
 FILE NO.E145249

**PHYSICAL SPECIFICATIONS:**

PLASTIC: UL 94V-0 THERMOPLASTIC  
 JACK WIRE: 50u" GOLD PLATING OVER 100u" NICKEL UNDER PLATE

COMMON TOLERANCE		SHEET OF		ALL COPY RIGHTS RESERVED	
CLASS	A	B	SIZE	A4	<b>DCE</b> DAN-CHIEF ENTERPRISE CO.,LTD.
DIMENSION			DIA	mm	TITLE
L<=3	±0.05	±0.1			3013A-B8S-C5eABL-1
3<L<=6	±0.05	±0.1	SCALE		
6<L<=16	±0.1	±0.15	DATE	DEC.20.2000	DRAWING NO.
16<L<=30	±0.1	±0.2	DESIGN		K-048-6
30<L<=120	±0.15	±0.3	DRAWN		CHECKED
120<L<=315	±0.2	±0.5			