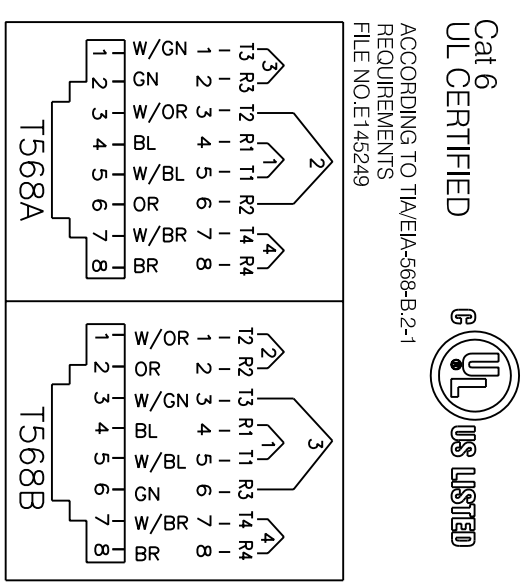
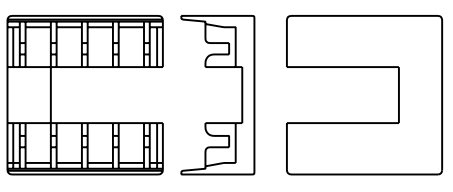
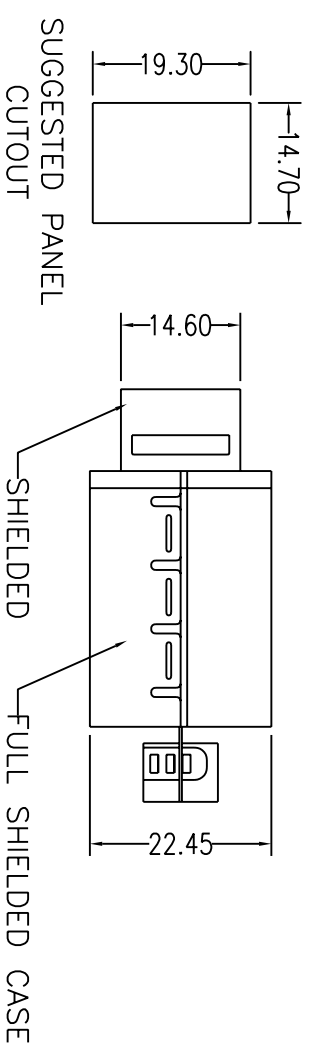
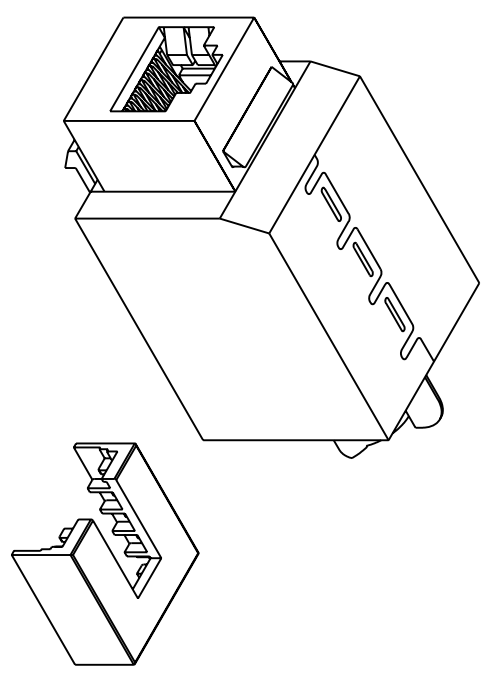
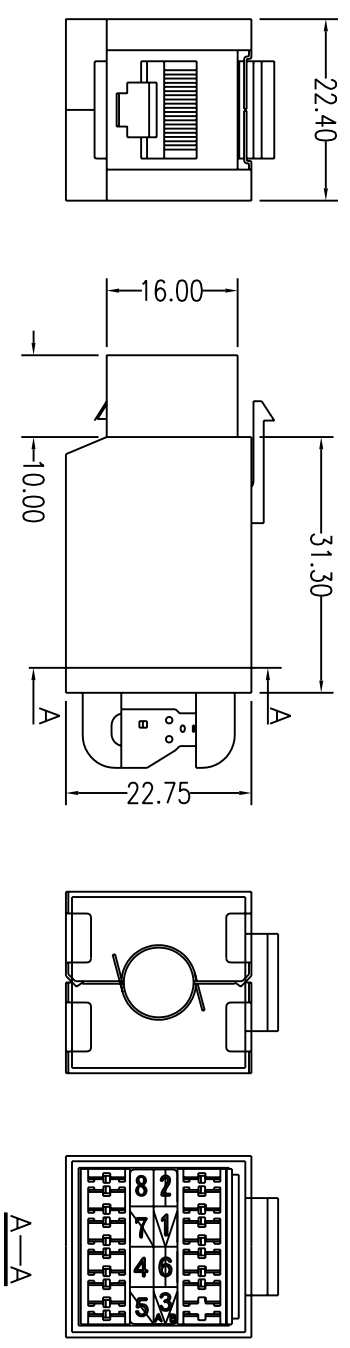


REVISIONS				
ZONE	REV	DESCRIPTION	DATE	APPROVED
	A			



Cat 6
 UL CERTIFIED
 ACCORDING TO TIA/EIA-568-B-2-1
 REQUIREMENTS
 FILE NO. E145249

MATERIAL
 Housing: ABS, UL 94V-0
 IDC plastic: PC, UL 94V-0
 IDC contact: Phosphor Bronze with 200u
 " Tin over 100u" Nickel undercoat
 Spring Wire: Phosphor Bronze with 50u
 " Gold over 100u" Nickel undercoat
 Temperature: -40°C ~ 70°C
 Humidity: 10% ~ 90% RH
 Modular jack: 750 mating cycles
 Idc block: 200 termination cycles
 Shield: Bronze over Nickle

ELECTRICAL
 Current rating: 1.5 Amps
 Insulation resistance: 500 MOhm
 Contact resistance: 20 mOhm
 DC resistance: 0.1 Ohm
 Dielectric withstanding voltage: 1000 V

COMMON TOLERANCE		SHEET OF		ALL COPY RIGHTS RESERVED	
CLASS	A	B	SIZE	A4	DCE DAN-CHIEF ENTERPRISE CO., LTD.
DIMENSION	±0.05	±0.1	DIA	mm	TITLE
L <= 3	±0.05	±0.1	SCALE	1:1	3013A-B8FS-C6ABL
3 < L <= 6	±0.05	±0.1	DATE	NOV.21.2002	DRAWING NO. K-048-9
6 < L <= 16	±0.1	±0.15	DESIGN		CHECKED
16 < L <= 30	±0.1	±0.2			
30 < L <= 120	±0.15	±0.3			
120 < L <= 315	±0.2	±1			