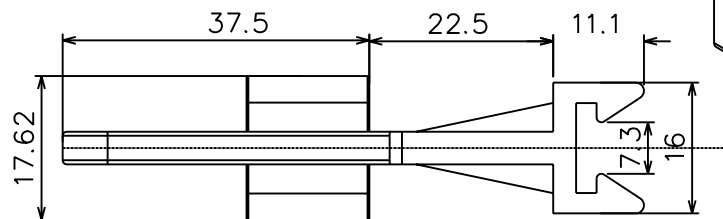
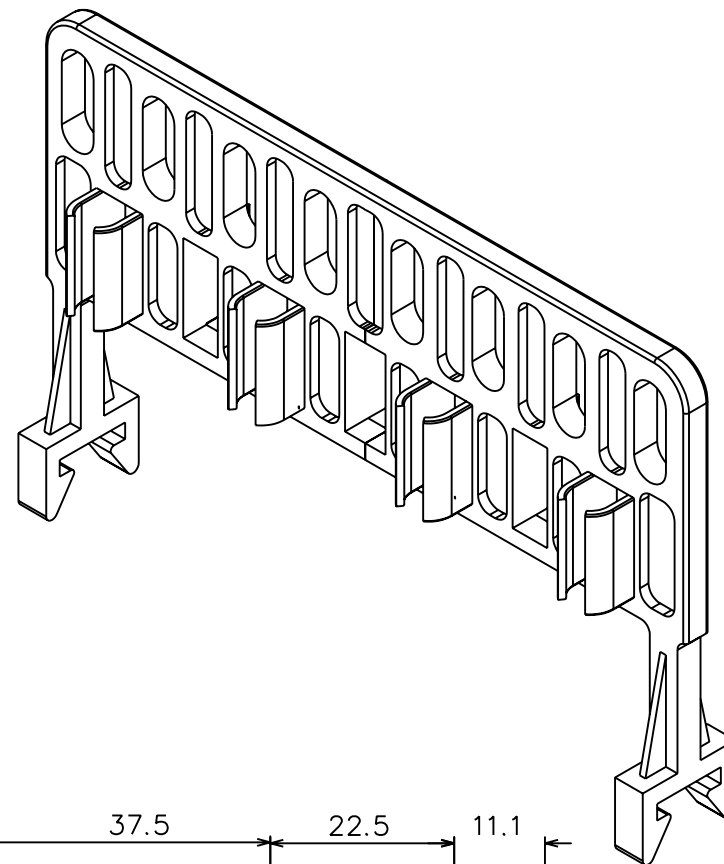
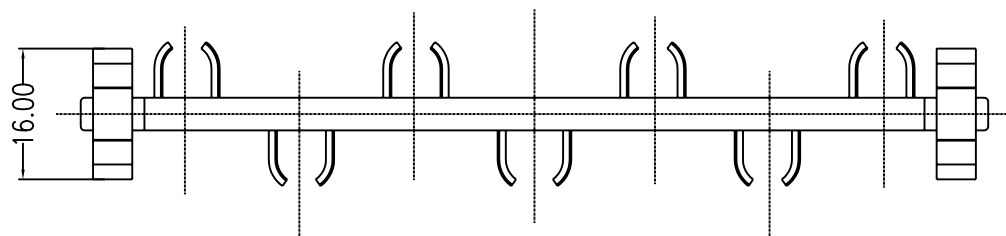
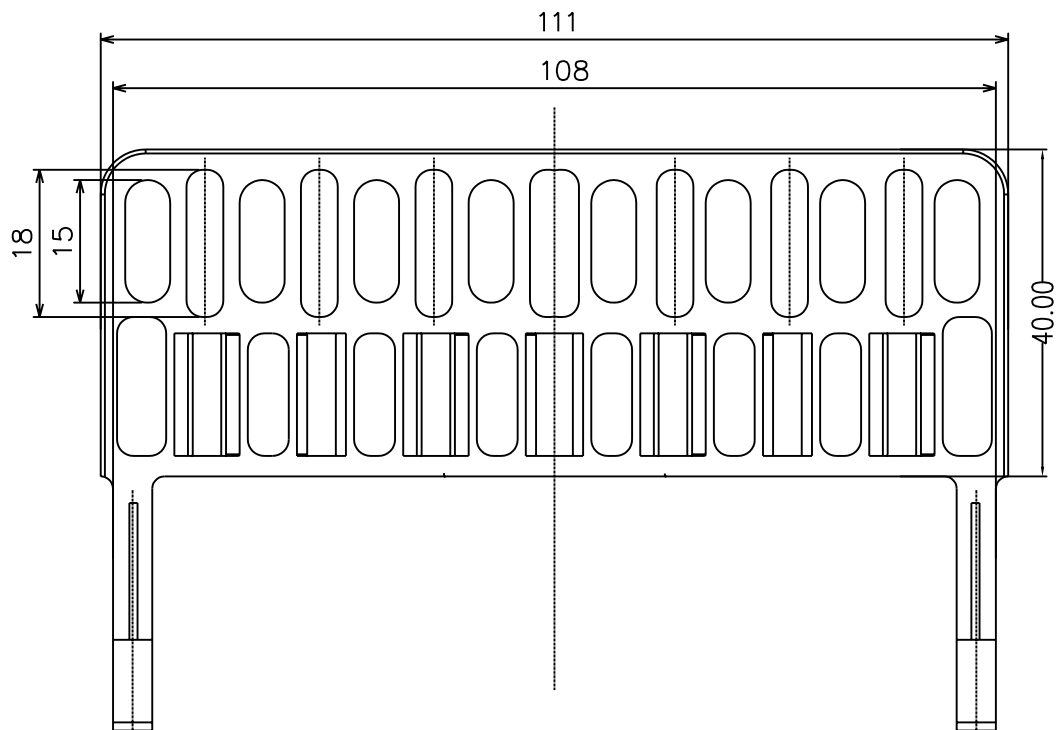

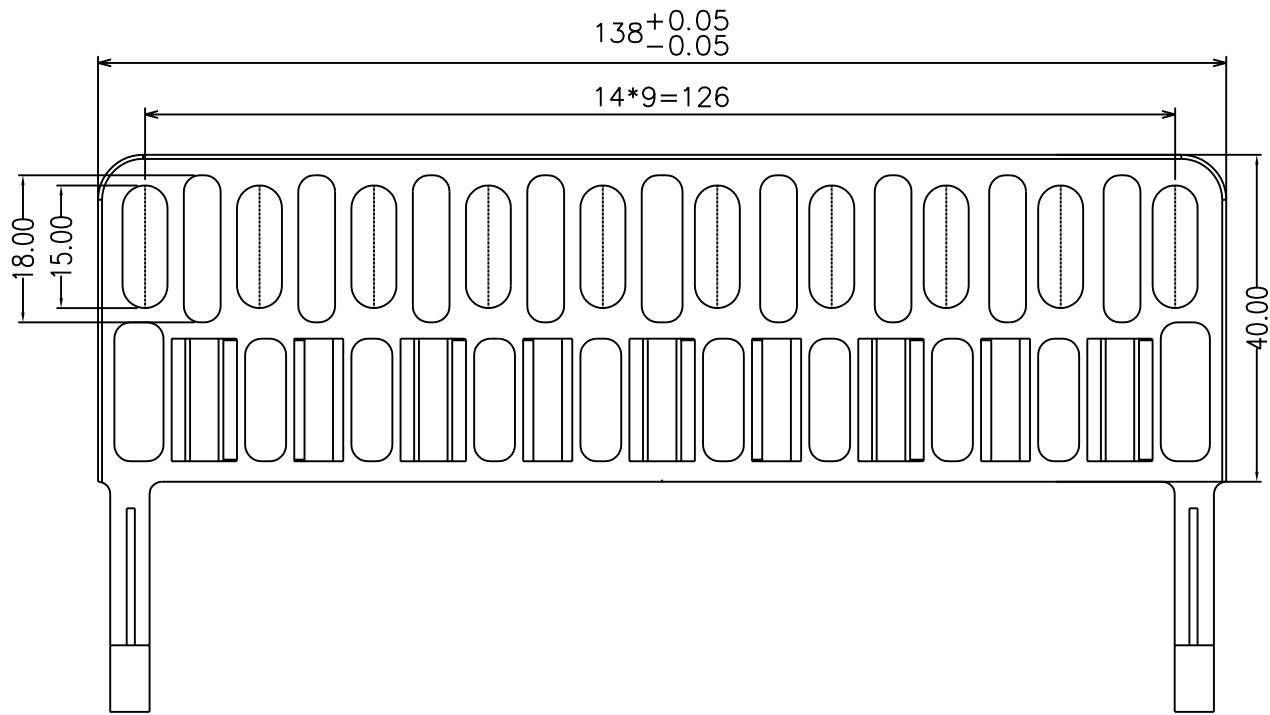


REVISIONS				
ZONE	REV	DESCRIPTION	DATE	APPROVED
	▲			
	▲			

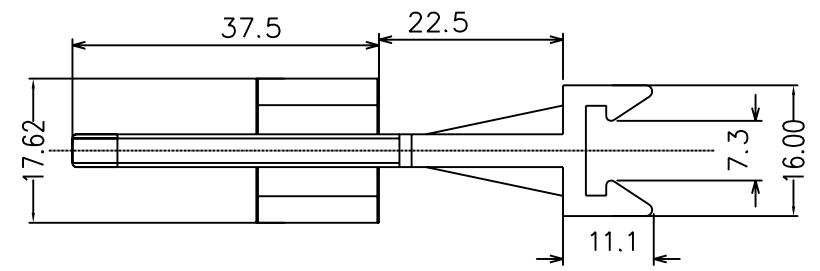
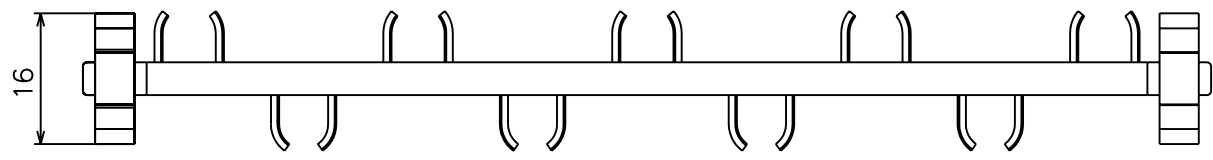
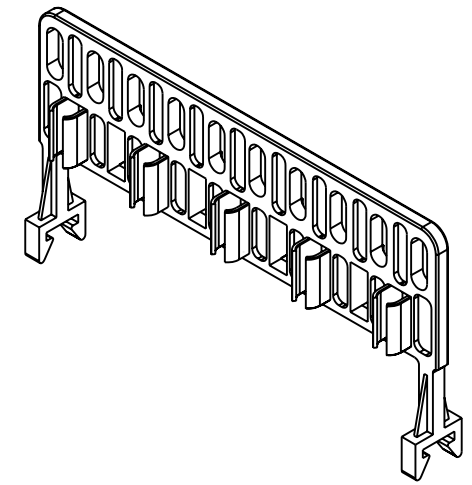


MATERIAL
 Metal Frame: P.C.
 Temperature: -40°C ~ 68°C
 Humidity: 10% ~ 90% RH
 Color: Black


COMMON TOLERANCE			SHEET OF		ALL COPY RIGHTS RESERVED	
CLASS	A	B	SIZE	A4	 DAN-CHIEF ENTERPRISE CO.,LTD.	
DIMENSION			DIA	mm		
L<=3	±0.05	±0.1	SCALE	1:1	TITLE	
3<L<=6	±0.05	±0.1	DATE	20040.5.27	3012WME6-XX	
6<L<=16	±0.1	±0.15	DESIGN		DRAWING NO.	
16<L<=30	±0.1	±0.2			OID-029	
30<L<=120	±0.15	±0.3	DRAWN		CHECKED	
120<L<=315	±0.2	±0.5				



REVISIONS				
ZONE	REV	DESCRIPTION	DATE	APPROVED
	▲			
	▲			



MATERIAL
 Metal Frame: P.C.
 Temperature: -40°C ~ 68°C
 Humidity: 10% ~ 90% RH
 Color: Black

COMMON TOLERANCE			SHEET OF		ALL COPY RIGHTS RESERVED	
CLASS	A	B	SIZE	A4	 DAN-CHIEF ENTERPRISE CO.,LTD.	
DIMENSION			DIA	mm		
L<=3	±0.05	±0.1	SCALE	1:1	TITLE 3012WME8-XX	
3<L<=6	±0.05	±0.1	DATE	2004.05.27		
6<L<=16	±0.1	±0.15	DRAWING NO.		OID-028	
16<L<=30	±0.1	±0.2				
30<L<=120	±0.15	±0.3	DESIGN	DRAWN	CHECKED	
120<L<=315	±0.2	±0.5				