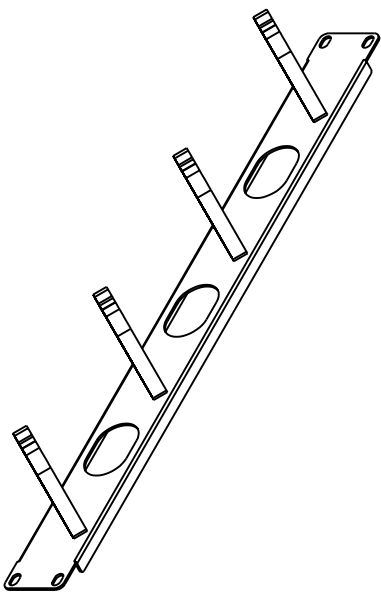
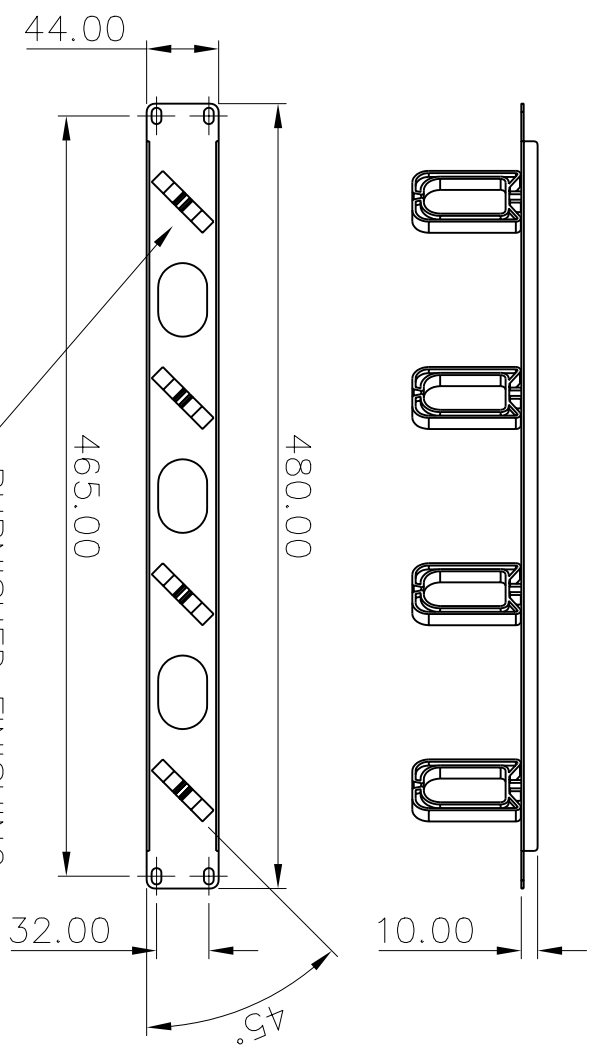


REVISIONS				
ZONE	REV	DESCRIPTION	DATE	APPROVED
	Δ			
	Δ			
	Δ			



FILE NO.E145249

MATERIAL
 Metal Frame: SPCC
 D-RING: Delrin 500P(POM)
 Temperature: -40°C ~ 68°C
 Humidity: 10% ~ 90% RH
 Color: Black

ENCLOSURE:
 KM-6 CAGE NUTS X 4 PCS

COMMON TOLERANCE		SHEET	OF	ALL COPY RIGHTS RESERVED	
CLASS	A	SIZE	A4	DCE DAN-CHIEF ENTERPRISE CO.,LTD.	
DIMENSION	±0.05	DIA	mm	TITLE	
L <= 3	±0.1	SCALE	1:5	3012-WM-A4B/N-XX	
3 < L <= 6	±0.05	DATE	2005.06.29	DRAWING NO.	IP-595
6 < L <= 16	±0.1	DESIGN		DRAWN	CHECKED
16 < L <= 30	±0.1				
30 < L <= 120	±0.15				
120 < L <= 315	±0.2				