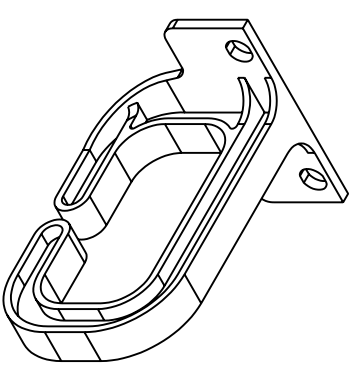
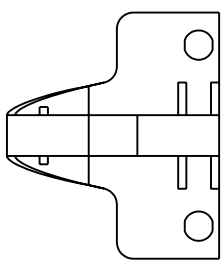
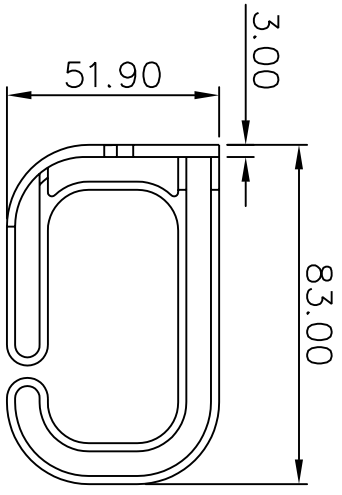
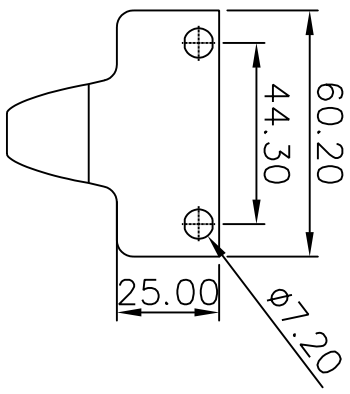
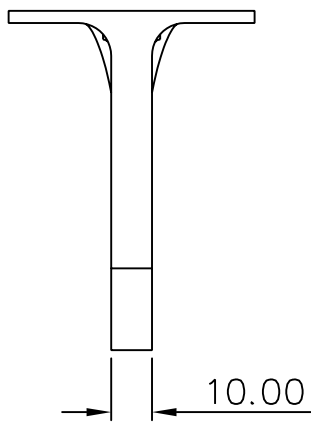


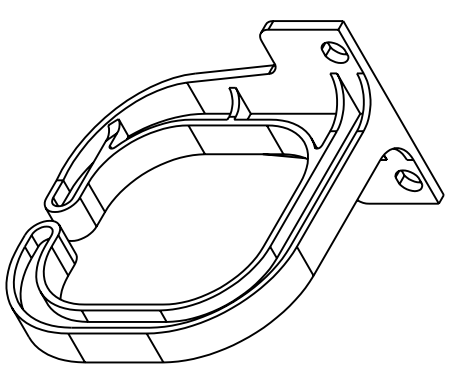
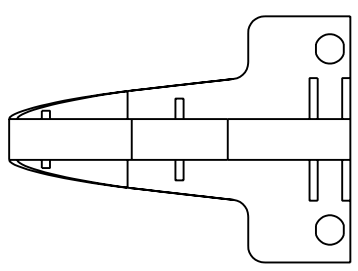
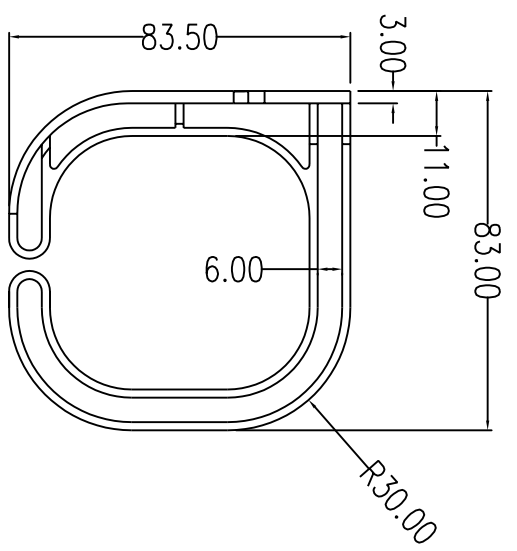
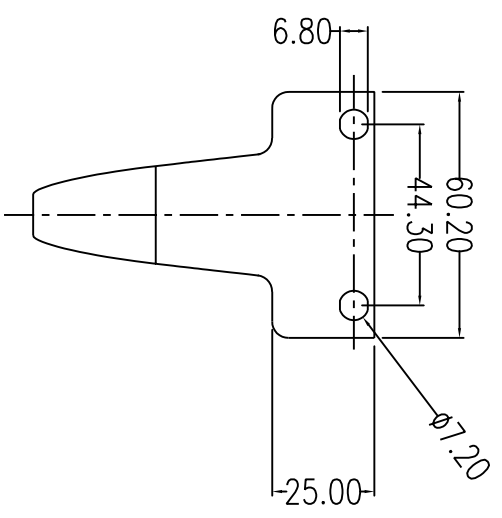
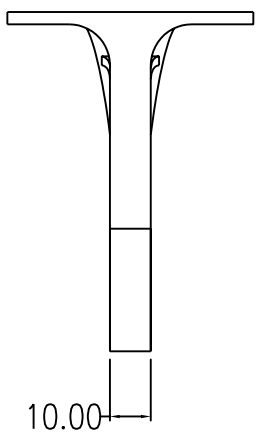
REVISIONS				
ZONE	REV	DESCRIPTION	DATE	APPROVED
	△			
	△			
	△			



MATERIAL
Housing: PC
COLOR: WHITE,BLACK.....
Temperature: -40°C ~ 68°C
Humidity: 10% ~ 90% RH

COMMON TOLERANCE		SHEET	OF	ALL COPY RIGHTS RESERVED	
CLASS	A	SIZE	A4	DCE DAN-CHIEF ENTERPRISE CO.,LTD.	
DIMENSION	±0.05	DIA	mm	TITLE	
L<=3	±0.1	SCALE	1:2	WM-V1U-XX	
3<L<=6	±0.05	DATE	2004.12.14	DRAWING NO.	WM-021
6<L<=16	±0.1	DESIGN		DRAWN	CHECKED
16<L<=30	±0.15				
30<L<=120	±0.15				
120<L<=315	±0.2				

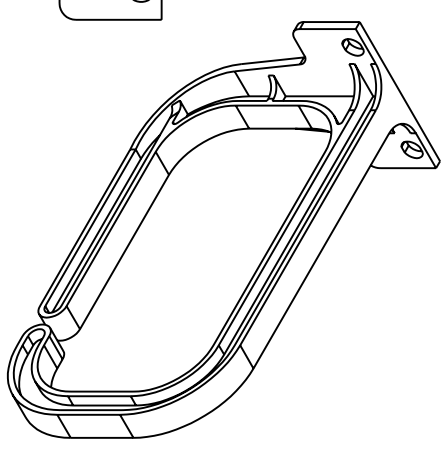
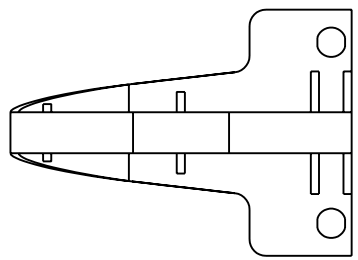
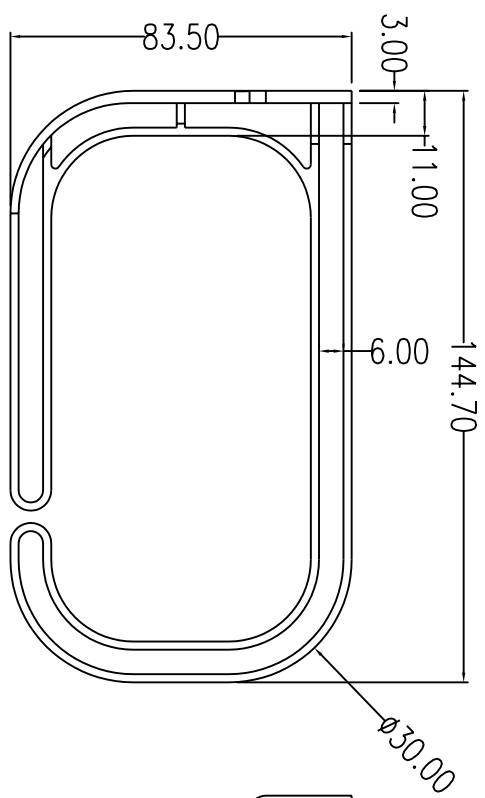
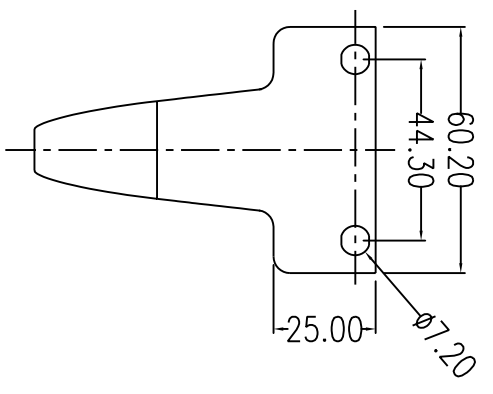
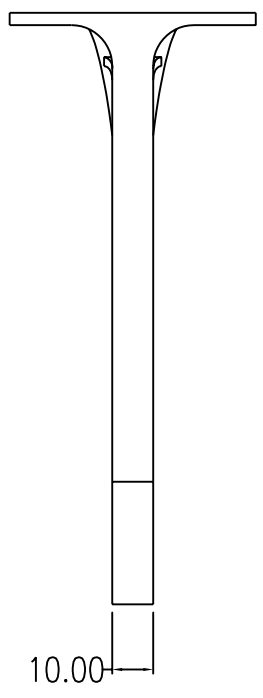
REVISIONS				
ZONE	REV	DESCRIPTION	DATE	APPROVED
	A			
	A			



MATERIAL
 Housing: PC
 COLOR: WHITE,BLACK.....
 Temperature: -40°C ~ 68°C
 Humidity: 10% ~ 90% RH

COMMON TOLERANCE		SHEET	OF	ALL COPY RIGHTS RESERVED	
CLASS	A	SIZE	A4	DCE DAN-CHIEF ENTERPRISE CO.,LTD.	
DIMENSION	±0.05	DIA	mm	TITLE	
L <= 3	±0.05	SCALE	1:2	WM-V2U-XX	
3 < L <= 6	±0.05	DATE	2004.12.14	DRAWING NO.	WM-022
6 < L <= 16	±0.1	DESIGN		DRAWN	CHECKED
16 < L <= 30	±0.1				
30 < L <= 120	±0.15				
120 < L <= 315	±0.2				

REVISIONS				
ZONE	REV	DESCRIPTION	DATE	APPROVED
	△			
	△			
	△			



MATERIAL
Housing: PC, UL 94V-0
COLOR: WHITE,BLACK.....
Temperature: -40°C ~ 68°C
Humidity: 10% ~ 90% RH

COMMON TOLERANCE		SHEET	OF	ALL COPY RIGHTS RESERVED	
CLASS	A	SIZE	A4	DCE DAN-CHIEF ENTERPRISE CO.,LTD.	
DIMENSION	±0.05	DIA	mm	TITLE	
L <= 3	±0.1	SCALE	1:2	WM-VL2U-XX	
3 < L <= 6	±0.05	DATE	2004.12.14	DRAWING NO.	WM-023
6 < L <= 16	±0.1	DESIGN		DRAWN	CHECKED
16 < L <= 30	±0.1				
30 < L <= 120	±0.15				
120 < L <= 315	±0.2				