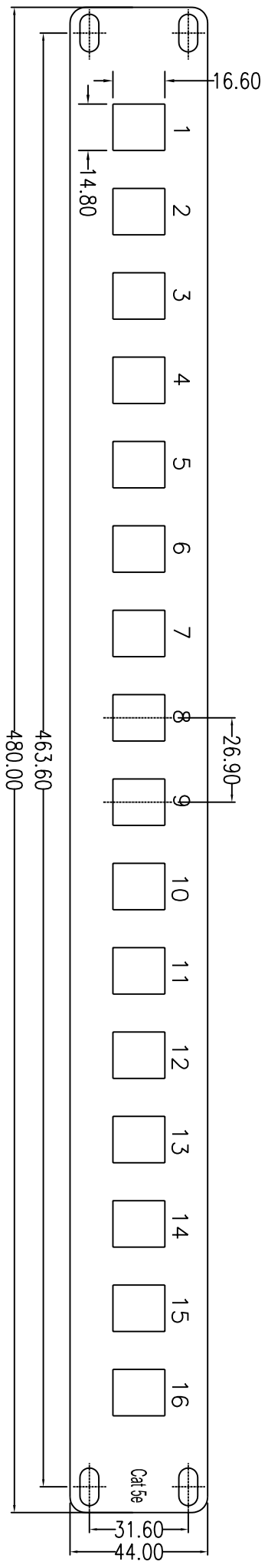
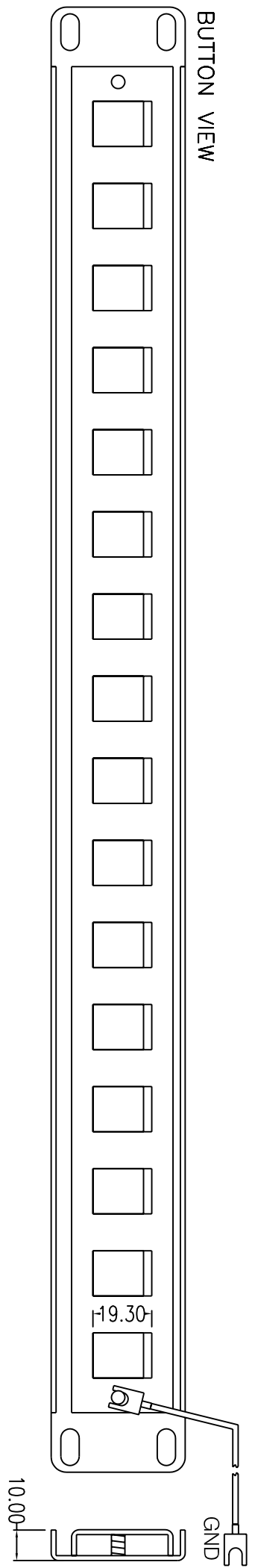


REVISIONS			DATE	APPROVED
ZONE	REV	DESCRIPTION		
	A			
	A			



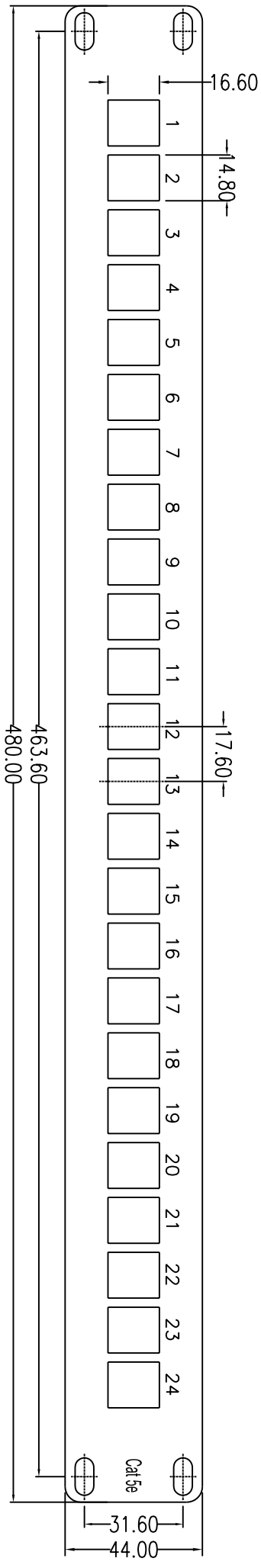
BUTTON VIEW



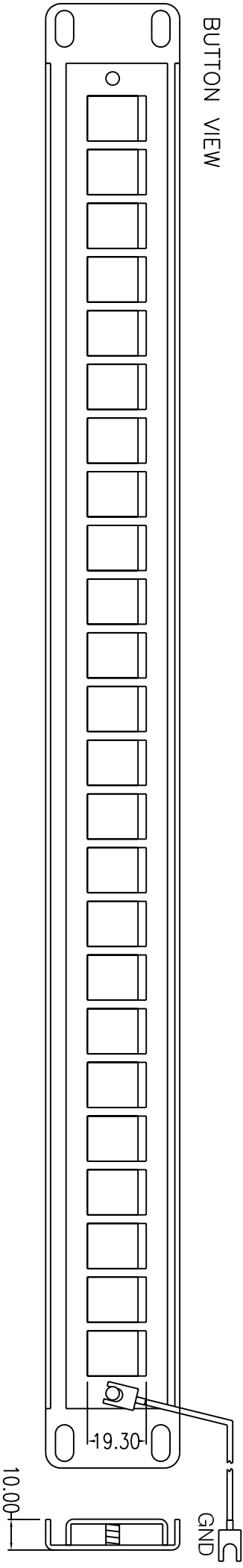
**MATERIAL**  
 Metal Frame: SPCC  
 Temperature: -40°C ~ 68°C  
 Humidity: 10% ~ 90% RH  
 COLOR: BLACK, GREY, .....

COMMON TOLERANCE		SHEET	OF	ALL COPY RIGHTS RESERVED	
CLASS	A	SIZE	A4	DCE DAN-CHIEF ENTERPRISE CO., LTD.	
DIMENSION	±0.05	DIA	mm	TITLE	
L <= 3	±0.05	SCALE	1:2	3012KPSG-16-C5e	
3 < L <= 6	±0.05	DATE	2004.06.28	DRAWING NO.	KPSG-001
6 < L <= 16	±0.1	DESIGN		DRAWN	CHECKED
16 < L <= 30	±0.1				
30 < L <= 120	±0.15				
120 < L <= 315	±0.2				

REVISIONS			DATE	APPROVED
ZONE	REV	DESCRIPTION		
	1			
	2			
	3			



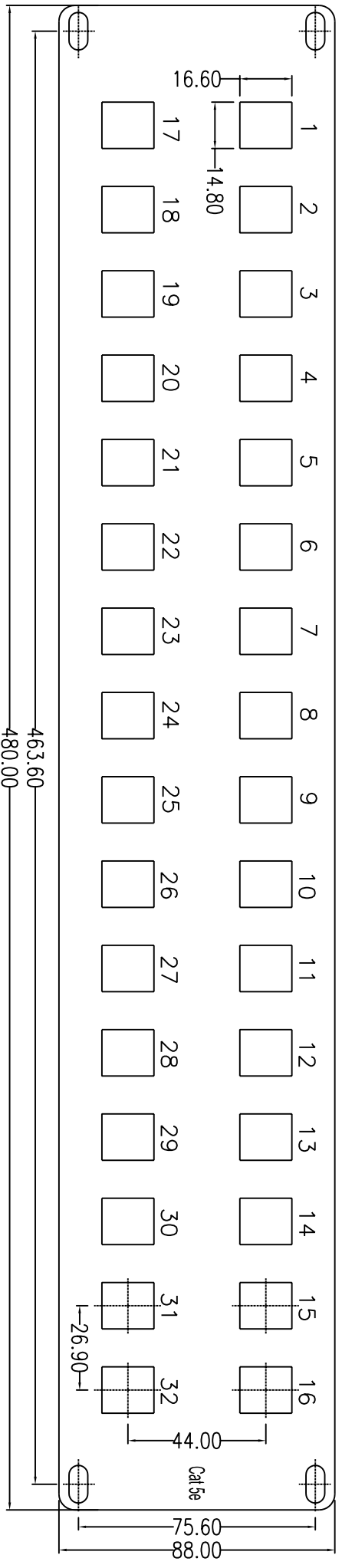
BUTTON VIEW



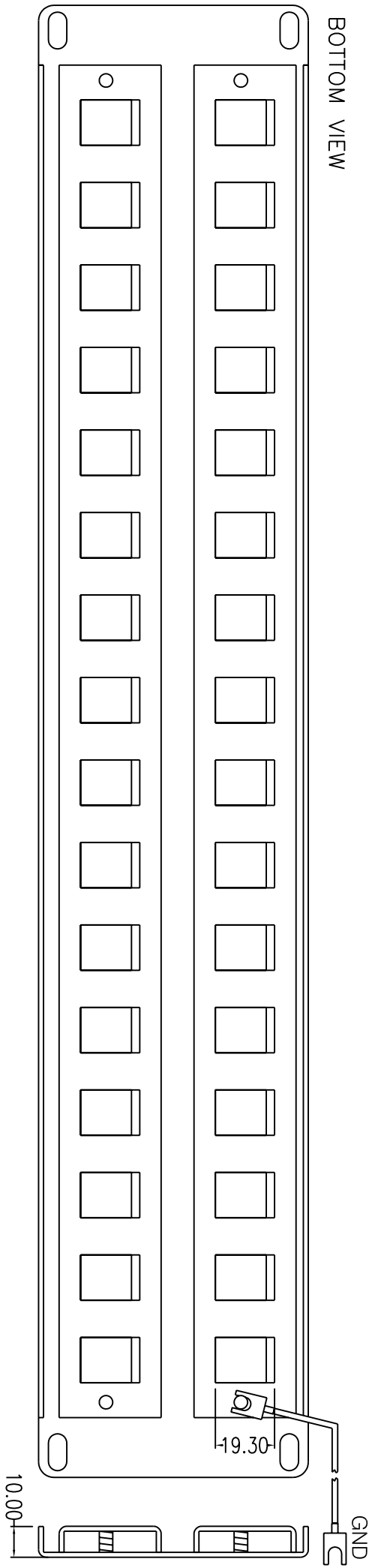
**MATERIAL**  
 Metal Frame: SPCC  
 Temperature: -40°C ~ 68°C  
 Humidity: 10% ~ 90% RH  
 COLOR: BLACK, GREY, .....

COMMON TOLERANCE		SHEET	OF	ALL COPY RIGHTS RESERVED	
CLASS	A	SIZE	A4	DCE DAN-CHIEF ENTERPRISE CO., LTD.	
DIMENSION	±0.05	DIA	mm	TITLE	
L <= 3	±0.05	SCALE	1:2	3012KPSG-G-24-C5e	
3 < L <= 6	±0.05	DATE	2004.06.28	DRAWING NO.	KPSG-002
6 < L <= 16	±0.1	DESIGN		DRAWN	
16 < L <= 30	±0.1	CHECKED			
30 < L <= 120	±0.15				
120 < L <= 315	±0.2				

REVISIONS				
ZONE	REV	DESCRIPTION	DATE	APPROVED
	A			
	A			



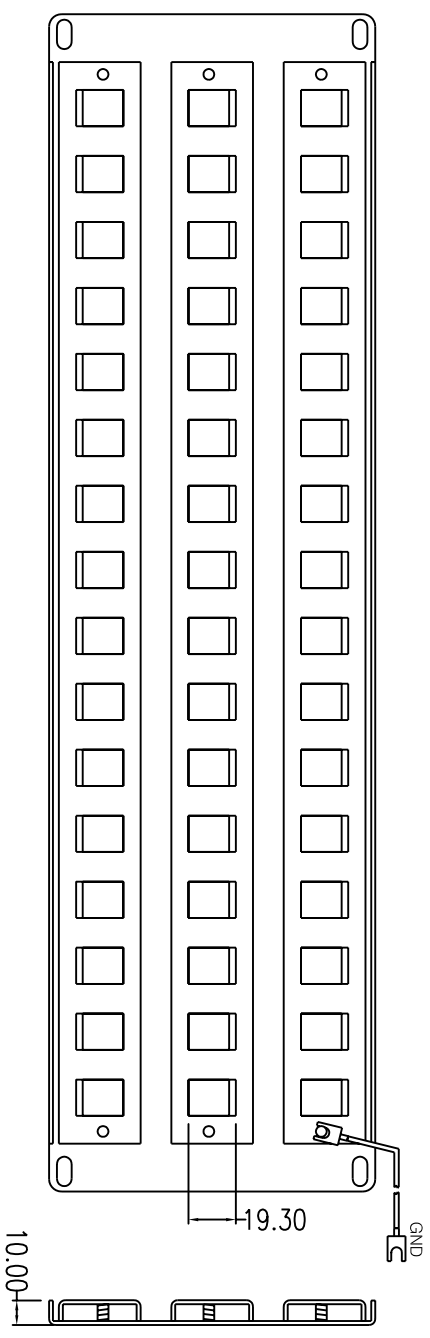
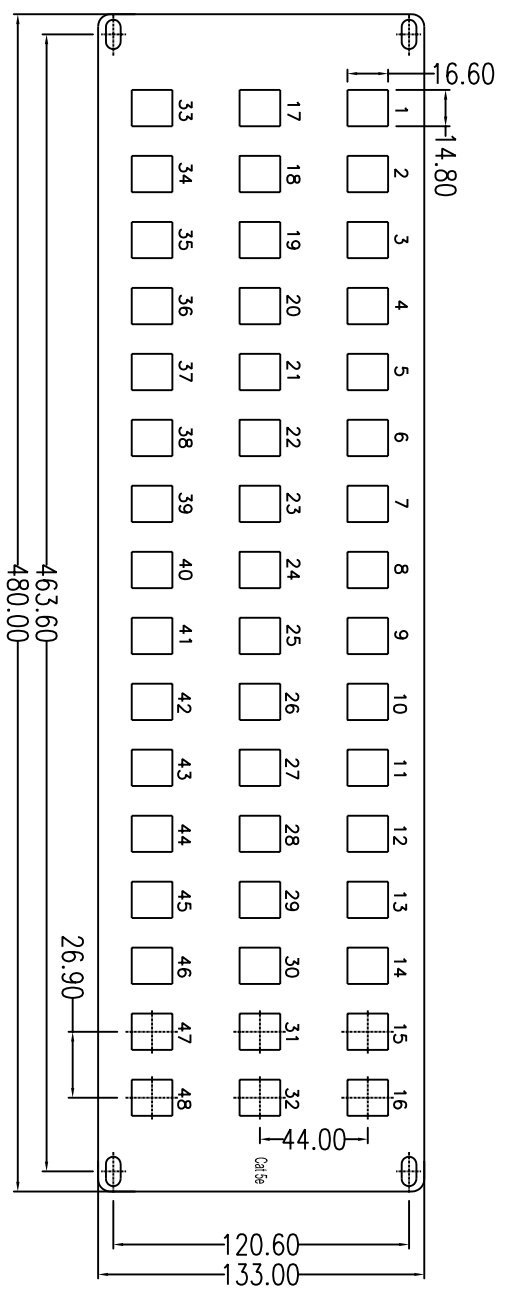
BOTTOM VIEW



MATERIAL  
 Metal Frame: SPCC  
 Temperature: -40°C ~ 68°C  
 Humidity: 10% ~ 90% RH  
 COLOR: BLACK, GREY, .....

COMMON TOLERANCE		SHEET	OF	ALL COPY RIGHTS RESERVED	
CLASS	A	SIZE	A4	DCE DAN-CHIEF ENTERPRISE CO., LTD.	
DIMENSION	±0.05	DIA	mm	TITLE	
L <= 3	±0.1	SCALE	1:2	3012KPSG-G-32-C5e	
3 < L <= 6	±0.05	DATE	2004.06.28	DRAWING NO.	KPSG-G-003
6 < L <= 16	±0.1	DESIGN		DRAWN	CHECKED
16 < L <= 30	±0.15				
30 < L <= 120	±0.15				
120 < L <= 315	±0.2				

REVISIONS				
ZONE	REV	DESCRIPTION	DATE	APPROVED
	A			



**MATERIAL**  
 Metal Frame: SPCC  
 Temperature: -40°C ~ 68°C  
 Humidity: 10% ~ 90% RH  
 COLOR: BLACK, GREY, .....

COMMON TOLERANCE		SHEET	OF	ALL COPY RIGHTS RESERVED	
CLASS	A	SIZE	A4	DCE DAN-CHIEF ENTERPRISE CO., LTD.	
DIMENSION	±0.05	DIA	mm	TITLE	
L <= 3	±0.1	SCALE	3:10	3012KPSG-48-XX	
3 < L <= 6	±0.05	DATE	2004.06.28	DRAWING NO.	KPSG-004
6 < L <= 16	±0.1	DESIGN		DRAWN	CHECKED
16 < L <= 30	±0.1				
30 < L <= 120	±0.15				
120 < L <= 315	±0.2				