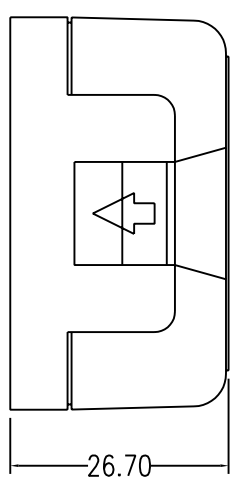
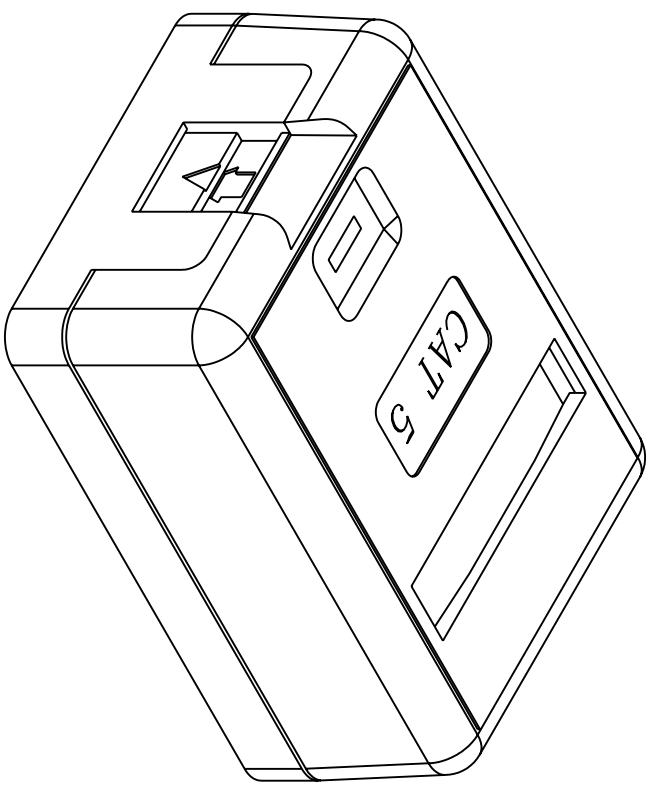
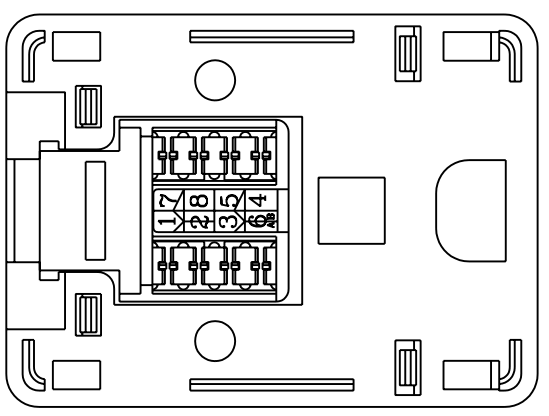
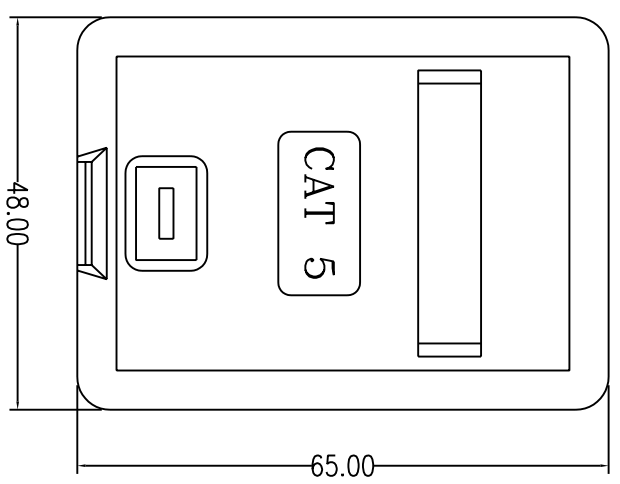


REVISIONS				
ZONE	REV	DESCRIPTION	DATE	APPROVED



MATERIALS: ABS UL94V-0

COLOR: WHITE

OPTIONS: IVORY.....

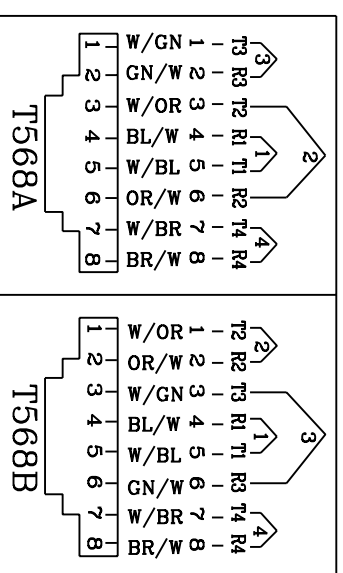
ENCLOSURE: K5 6 X 20mm SCREW X 2

CLEAR COVER X 1

WHITE PAPER X 1

NYLON CABLE TIE X 1

DOUBLE STICKER X 1(55 X 45mm)



COMMON TOLERANCE		SHEET 1 OF 1		ALL COPY RIGHTS RESERVED	
CLASS	A	B	SIZE	A4	DCE DAN-CHEF ENTERPRISE CO.,LTD.
DIMENSION			DIA	mm	TITLE
L<=3	±0.06	±0.1	SCALE		3002AD-8-C5A/BLXX-X
3<L<=6	±0.06	±0.1	DATE	JUL.29.99	DRAWING NO. A32-105
6<L<=16	±0.1	±0.15	DESIGN		CHECKED
16<L<=30	±0.1	±0.2			
30<L<=120	±0.15	±0.3			
120<L<=315	±0.2	±0.5			