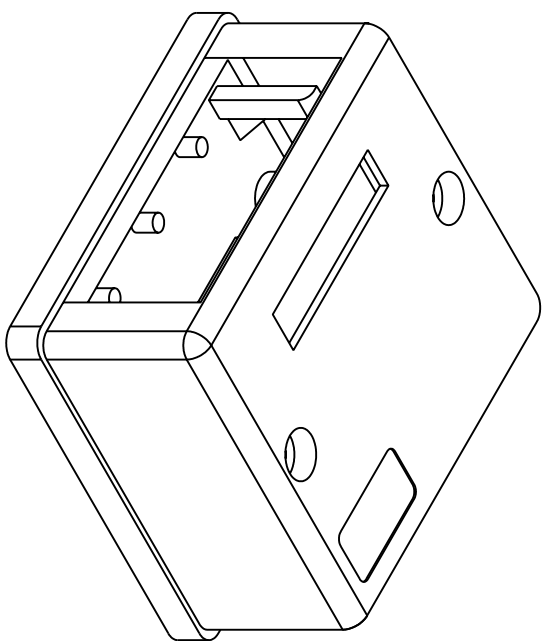
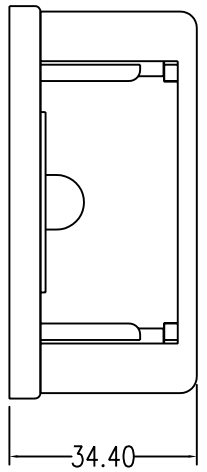
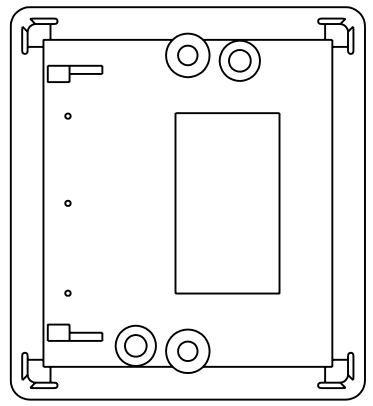
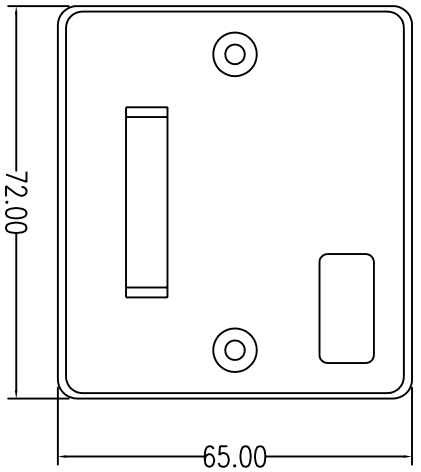


REVISIONS				
ZONE	REV	DESCRIPTION	DATE	APPROVED



MATERIALS: ABS UL94V-0
COLOR: WHITE
OPTIONS: IVORY.....
ENCLOSURE: DOUBLE STICKER X 1 (55 X 60 mm)
 K5 6 X 20 mm SCREW X 2
 K92 3.5 X 17 mm SCREW X 2
 WHITE PAPER X 1
 CLEAR COVER X 1

COMMON TOLERANCE		SHEET 1 OF 1	ALL COPY RIGHTS RESERVED
CLASS	A	B	SIZE A4
DIMENSION	±0.06	±0.1	DIA mm
L<=3	±0.06	±0.1	SCALE
3<L<=6	±0.06	±0.1	DATE JUL.21.99
6<L<=16	±0.1	±0.15	DRAWING NO. A31-051
16<L<=30	±0.1	±0.2	DRAWN
30<L<=120	±0.15	±0.3	CHECKED
120<L<=315	±0.2	±0.5	

DCE DAN-CHIEF ENTERPRISE CO.,LTD.
 3001A-XX-X