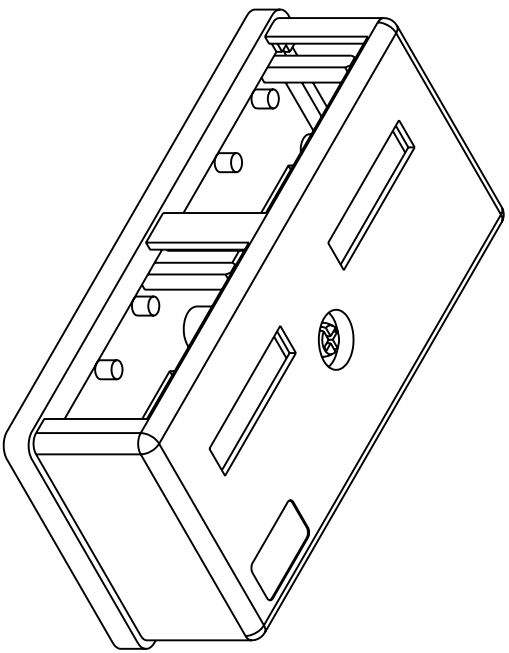
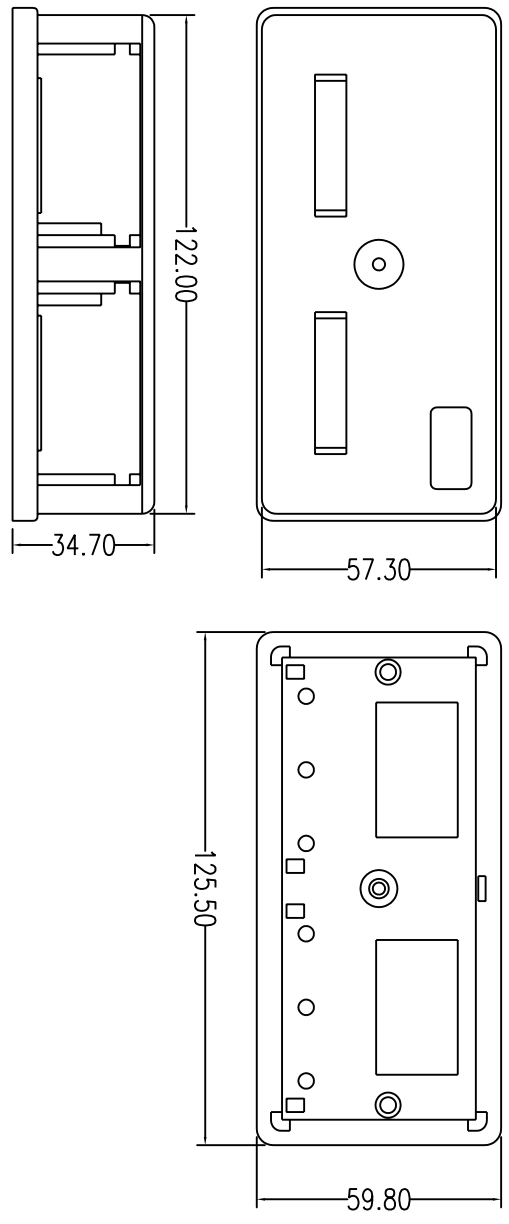


REVISIONS			
ZONE	REV	DESCRIPTION	DATE APPROVED



MATERIALS: ABS UL94V-0
 COLOR: WHITE
 OPTIONS: IVORY.....
 ENCLOSURE: DOUBLE STICKER X 2 (55 X 15 mm)
 K5 6 X 20 mm SCREW X 2
 K92 3.5 X 17 mm SCREW X 1
 WHITE PAPER X 2
 CLEAR COVER X 2

COMMON TOLERANCE		SHEET 1 OF 1	ALL COPY RIGHTS RESERVED
CLASS	A	B	SIZE A4
DIMENSION	±0.06	±0.1	DIA mm
L <= 3	±0.06	±0.1	SCALE
3 < L <= 6	±0.06	±0.1	DATE JUL.20.99
6 < L <= 16	±0.1	±0.15	DRAWING NO. 3000A-XX-X
16 < L <= 30	±0.1	±0.2	DESIGN
30 < L <= 120	±0.15	±0.3	DRAWN
120 < L <= 315	±0.2	±0.5	CHECKED