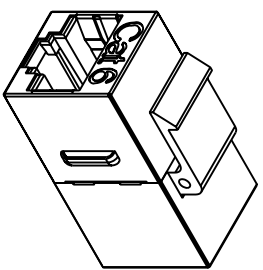
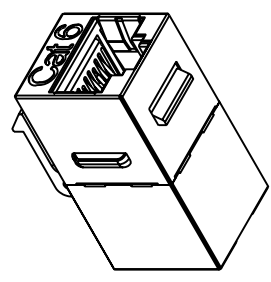
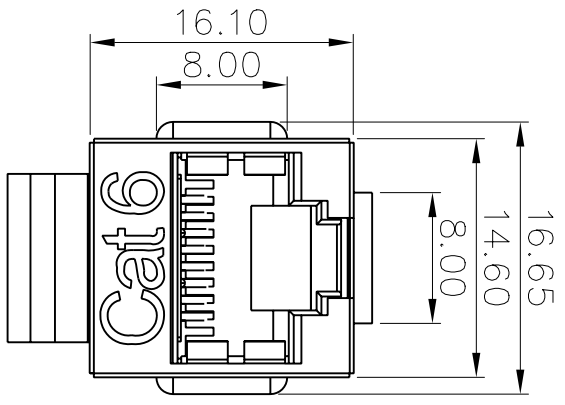
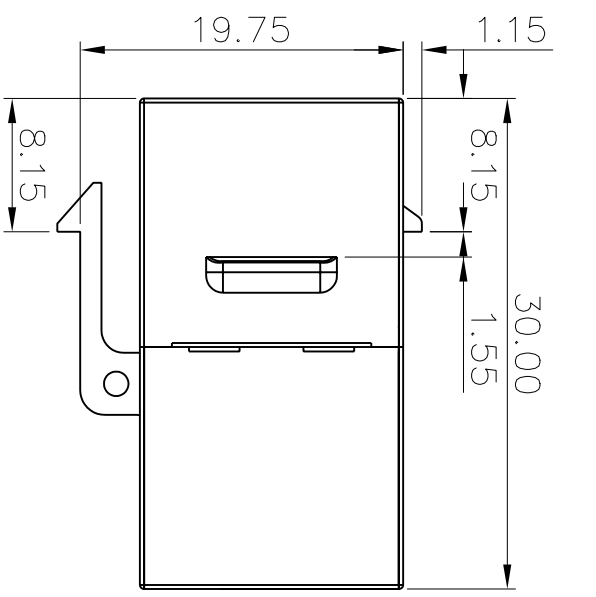


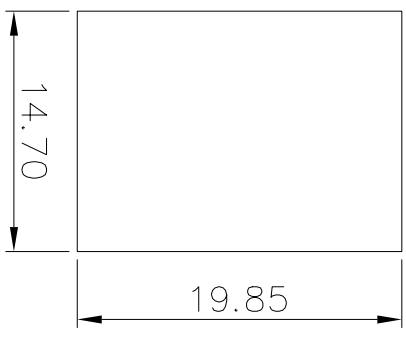
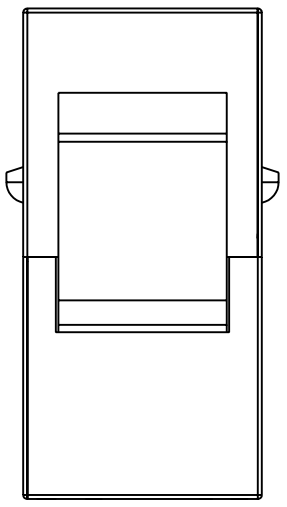
REVISIONS				
ZONE	REV	DESCRIPTION	DATE	APPROVED
	A			
	A			



Cat 6
UL CERTIFIED



ACCORDING TO TIA/EIA-568-B-2-1
REQUIREMENTS
FILE NO. E145249



Suggested Panel Cutout

MATERIAL

Housing: ABS, UL 94V-0
 Spring Wire: Phosphor Bronze with 50u
 " Gold over 100u" Nickel undercoat
 Temperature: - 40°C ~ 68°C
 Humidity: 10% ~ 90% RH
 Modular jack: 750 mating cycles
 Shield: Phosphor Bronze with Nickel plated

ELECTRICAL

Current rating: 1.5 Amps
 Insulation resistance: 500 MOhm
 Contact resistance: 20 mOhm
 DC resistance: 0.1 Ohm
 Dielectric withstanding voltage: 1000 V

COMMON TOLERANCE		SHEET	OF	ALL COPY RIGHTS RESERVED	
CLASS	A	SIZE	A4	DCE DAN-CHIEF ENTERPRISE CO., LTD.	
DIMENSION	±0.05	DIA	mm	TITLE	
L <= 3	±0.05	SCALE	2:1	21001-8S-C6R-XX	
3 < L <= 6	±0.05	DATE	2005.04.22	DRAWING NO. C-077	
6 < L <= 16	±0.1	DESIGN		DRAWN	
16 < L <= 30	±0.1	CHECKED			
30 < L <= 120	±0.15				
120 < L <= 315	±0.2				