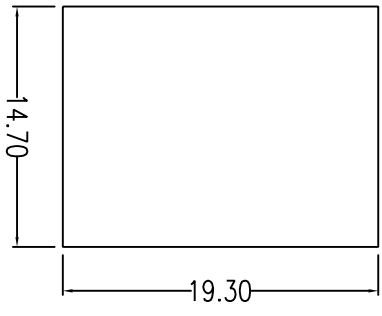
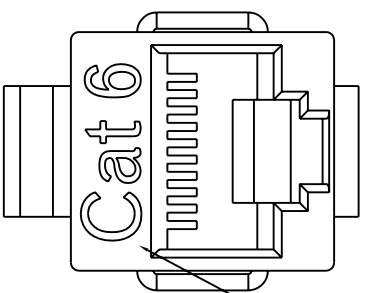
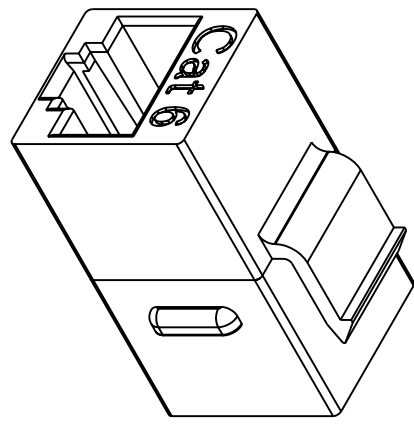
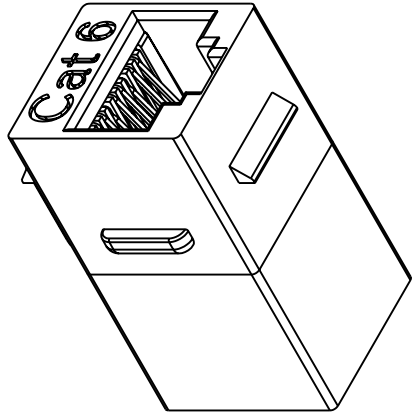
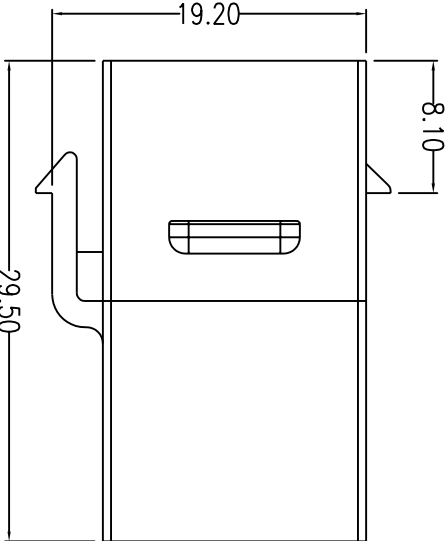
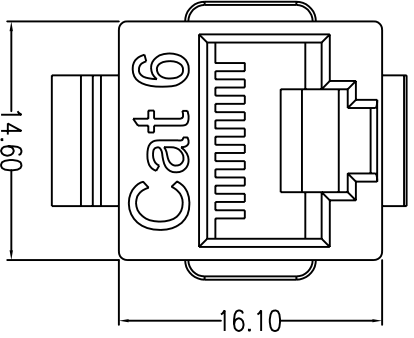


REVISIONS				
ZONE	REV	DESCRIPTION	DATE	APPROVED
	A			
	A			



Suggested Panel Cutout



Concave deepened 0.3mm

Cat 6
UL CERTIFIED



US LISTED

ACCORDING TO TIA/EIA-568-B-2-1
REQUIREMENTS
FILE NO. E145249

MATERIAL

Housing: ABS, UL 94V-0
Spring Wire: Phosphor Bronze with 50u
" Gold over 100u" Nickel undercoat
Temperature: -40°C ~ 68°C
Humidity: 10% ~ 90% RH
Modular jack: 750 mating cycles

ELECTRICAL

Current rating: 1.5 Amps
Insulation resistance: 500 MOhm
Contact resistance: 20 mOhm
DC resistance: 0.1 Ohm
Dielectric withstanding voltage: 1000 V

COMMON TOLERANCE		SHEET	OF	ALL COPY RIGHTS RESERVED	
CLASS	A	SIZE	A4	DCE DAN-CHIEF ENTERPRISE CO., LTD.	
DIMENSION		DIA	mm	TITLE	
L <= 3	±0.05			2100G-8-C6-XX	
3 < L <= 6	±0.05	SCALE	2:1	DRAWING NO.	C-042-1
6 < L <= 16	±0.1	DATE	2004.12.08	DRAWN	CHECKED
16 < L <= 30	±0.1	DESIGN			
30 < L <= 120	±0.15				
120 < L <= 315	±0.2				