

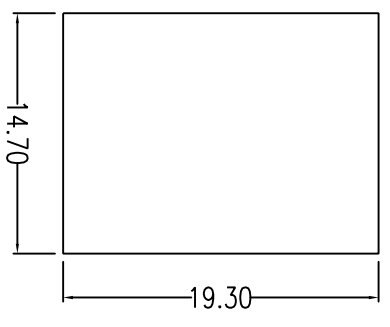
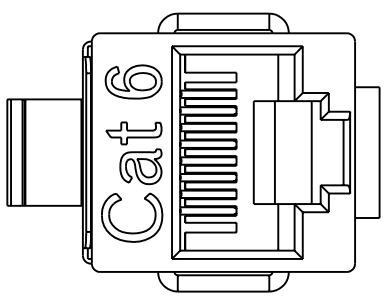
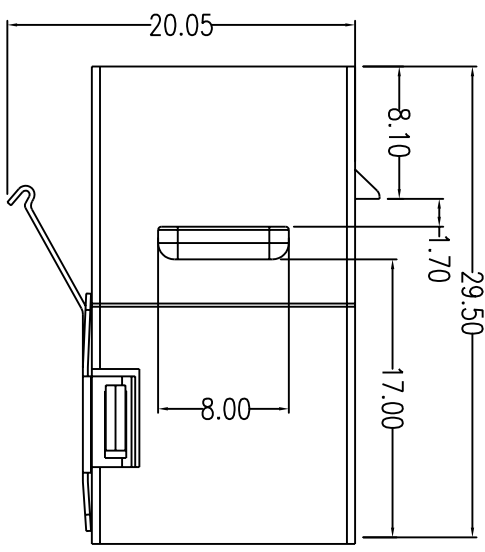
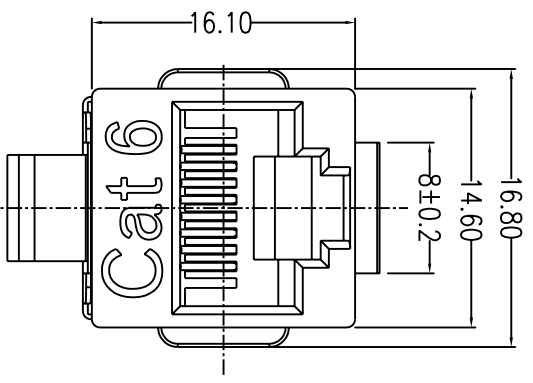
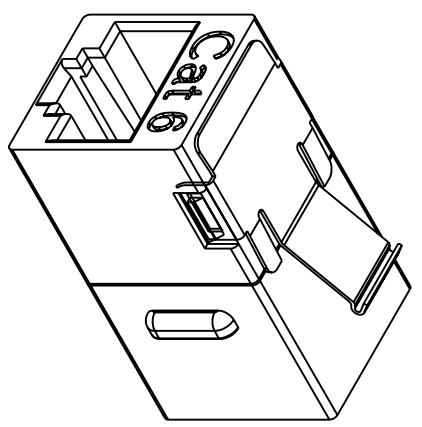
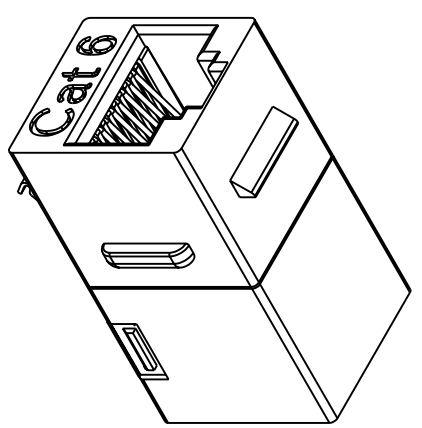
REVISIONS				
ZONE	REV	DESCRIPTION	DATE	APPROVED

MATERIALS:

Plastic: UL 94V0 thermoplastic.

Jack wire: Phosphor Bronze, 50µ" plating over 100µ" nickel under plate.

Bracket: SUS 304



Suggested Panel Cutout

COMMON TOLERANCE		SHEET	OF	TITLE	
CLASS	A	SIZE	A4	DCE DAN-CHEF ENTERPRISE CO., LTD.	
DIMENSION	±0.05	DIA	mm	2100E-8-C6-XX	
L <= 3	±0.1	SCALE	2:1	DRAWING NO. C-040	
3 < L <= 6	±0.05	DATE	AUG. 29, '01	DRAWN	
6 < L <= 16	±0.1	DESIGN		CHECKED	
16 < L <= 30	±0.1				
30 < L <= 120	±0.15				
120 < L <= 315	±0.2				

**Cat 5e
UL CERTIFIED**
 ACCORDING TO EIA/TIA-568-B.2-1.
 REQUIREMENTS
 FILE NO. E145249



ALL COPY RIGHTS RESERVED