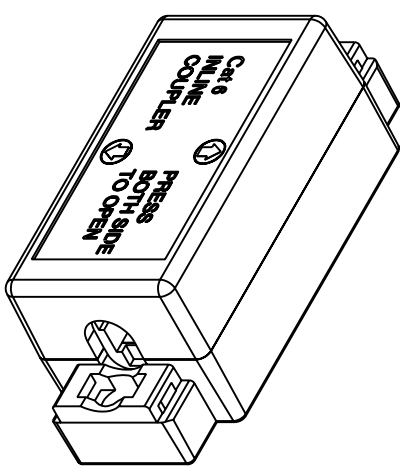
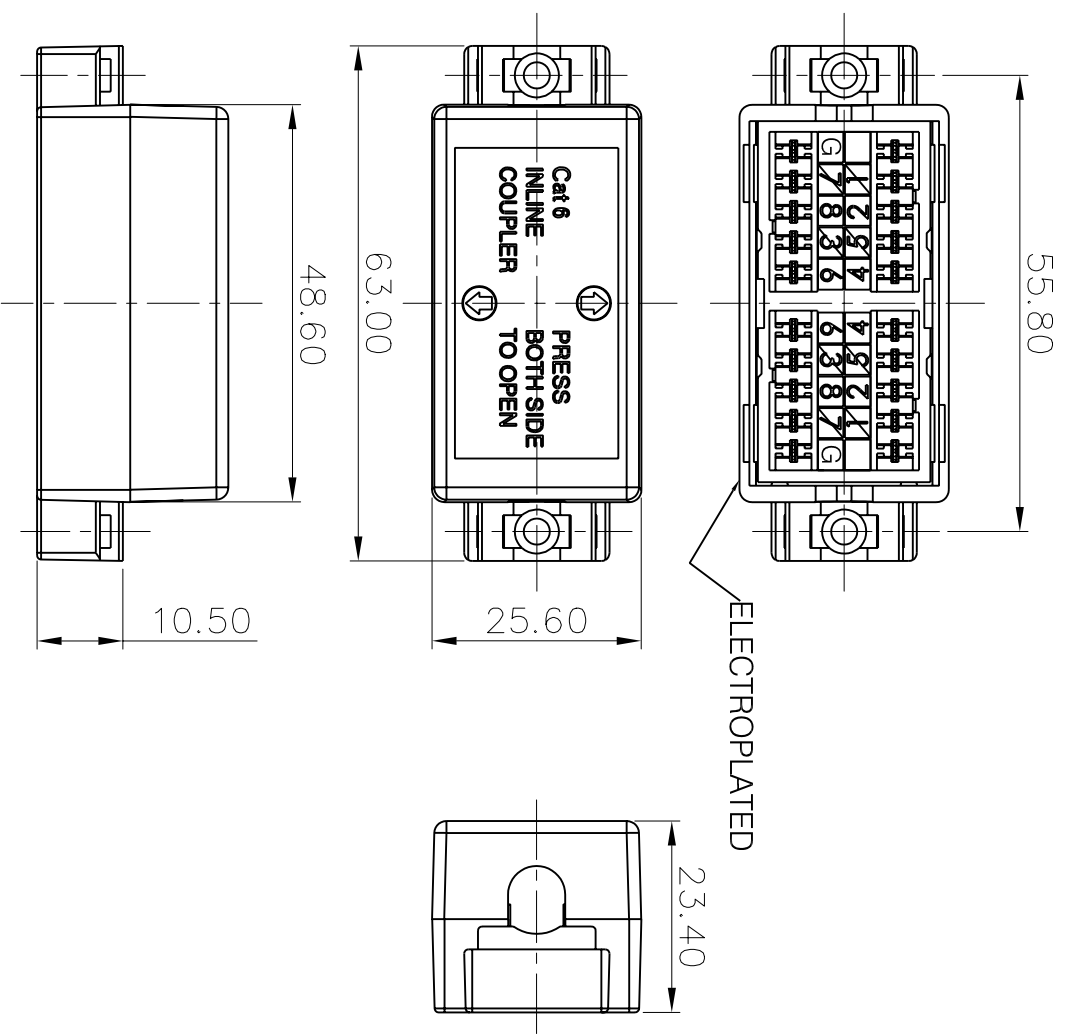


REVISIONS				
ZONE	REV	DESCRIPTION	DATE	APPROVED
	1			
	2			
	3			
	4			



Cat 6
UL CERTIFIED



UL LISTED

ACCORDING TO TIA/EIA-568-B.2-1
REQUIREMENTS
FILE NO. E145249

ENCLOSURE: K2-3*16-SCREWS X 2
40X20mm-TWIN ADHESIVE TAPE X 1
NYLON CABLE TIE X 2

MATERIAL
Housing: ABS ELECTROPLATED
IDC plastic: PC, UL 94V-0
IDC contact: Phosphor Bronze with 200u
" Tin over 100u" Nickel undercoat
Temperature: -40°C ~ 68°C
Humidity: 10% ~ 90% RH
Idc block: 200 termination cycles

ELECTRICAL
Current rating: 1.5 Amps
Insulation resistance: 500 MOhm
Contact resistance: 20 mOhm
DC resistance: 0.1 Ohm
Dielectric withstanding voltage: 1000 V

COMMON TOLERANCE		SHEET	OF	ALL COPY RIGHTS RESERVED	
CLASS	A	SIZE	A4	DCE DAN-CHIEF ENTERPRISE CO., LTD.	
DIMENSION		DIA	mm	TITLE	
L <= 3	±0.05			2100D-8S-C6L	
3 < L <= 6	±0.05	SCALE	1:1	DRAWING NO.	C-074
6 < L <= 16	±0.1	DATE	2005.02.17	DRAWN	CHECKED
16 < L <= 30	±0.1	DESIGN			
30 < L <= 120	±0.15				
120 < L <= 315	±0.2				