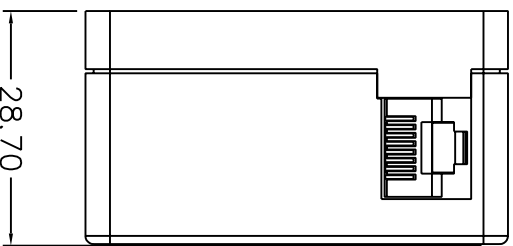
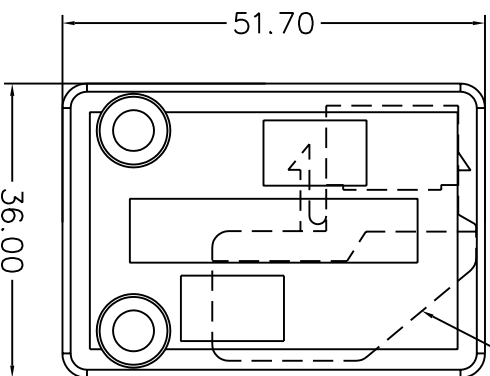
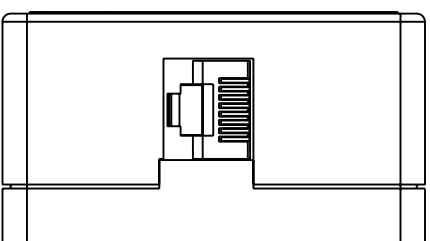
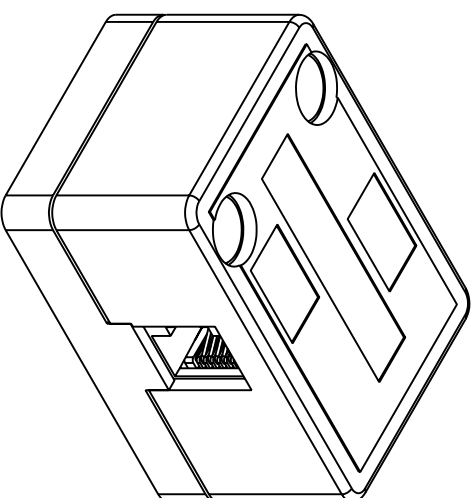
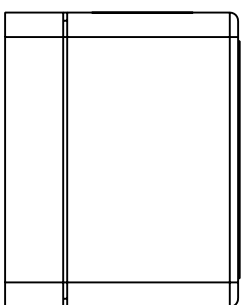



REVISIONS			
ZONE/REV	DESCRIPTION	DATE	APPROVED



ENCLOSURE:
 TWIN-ADHESIVE X 1PC/E
 K16-6*20-OANI X 2PCS
 5048CAP X 2PCS

COMMON TOLERANCE		SHEET 1 OF 1		ALL COPY RIGHTS RESERVED	
CLASS	A B	SIZE	A4	 DAN-CHIEF ENTERPRISE CO., LTD. TITLE 2100B-8-C5e-XX	
DIMENSION	L ≤ 3 ±0.07 ±0.1 3 < L ≤ 6 ±0.05 ±0.1 6 < L ≤ 16 ±0.1 ±0.15 16 < L ≤ 30 ±0.1 ±0.2 30 < L ≤ 120 ±0.15 ±0.3 120 < L ≤ 315 ±0.2 ±0.5	UNIT:	mm		
SCALE:		DATE:	2002.01.29	DRAWING NO.	C-043-1
DESIGN		DRAWN	CHECKED		