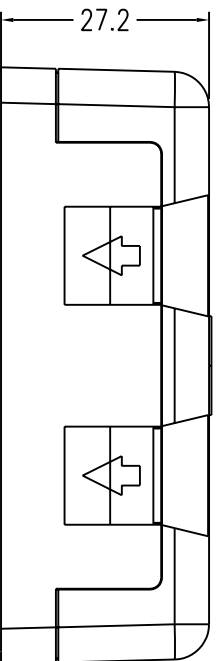
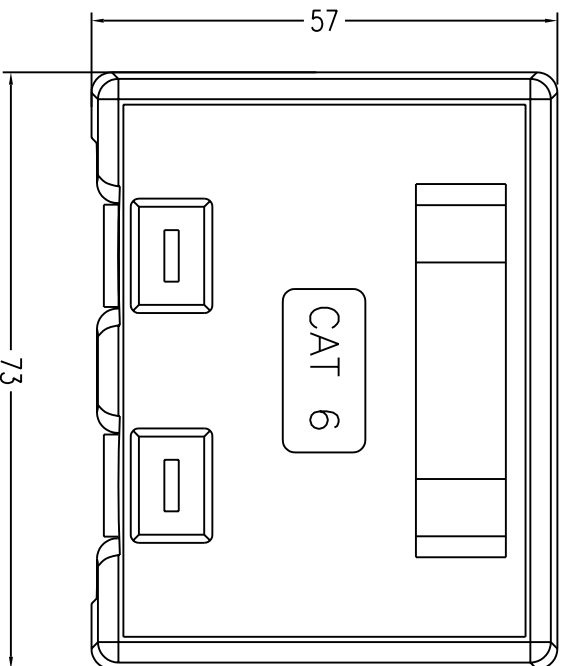
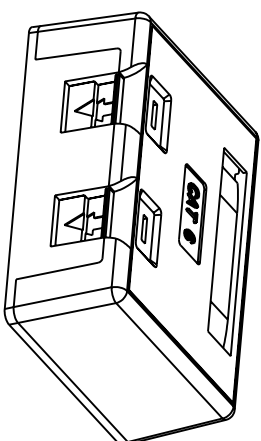
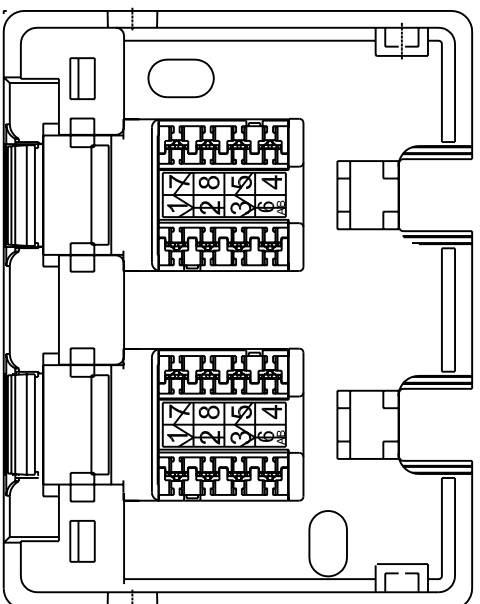


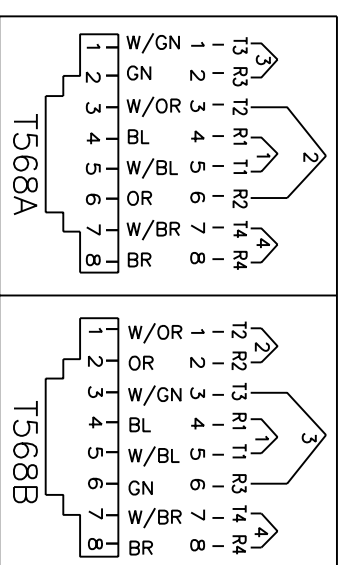
REVISIONS			
ZONEREV	DESCRIPTION	DATE	APPROVED



Cat 6
UL CERTIFIED



ACCORDING TO TIA/EIA-568-B.2-1
REQUIREMENTS
FILE NO.E145249



MATERIALS: ABS UL94V-0

COLOR: WHITE

OPTIONS: IVORY.....

ENCLOSURE: K5 6 X 20mm SCREW X 2

CLEAR COVER X 1

WHITE PAPER X 1

NYLON CABLE TIE X 2

DOUBLE STICKER X 1(55 X 60mm)

COMMON TOLERANCE		SHEET OF		ALL COPY RIGHTS RESERVED	
CLASS	A	B	SIZE	A4	DCE DAN-CHIEF ENTERPRISE CO.,LTD.
DIMENSION	±0.05	±0.1	DIA	mm	TITLE
L<=3	±0.05	±0.1	SCALE		2002AD-EI8-C6ABL-XX
3<L<=6	±0.05	±0.1	DATE	2004.02.10	DRAWING NO.
6<L<=16	±0.1	±0.15	DESIGN		A2-178
16<L<=30	±0.1	±0.3	CHECKED		
30<L<=120	±0.15	±0.5			
120<L<=315	±0.2	±0.5			