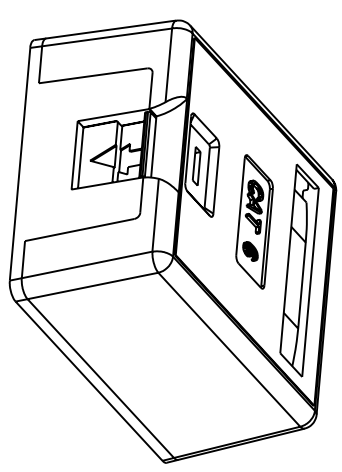
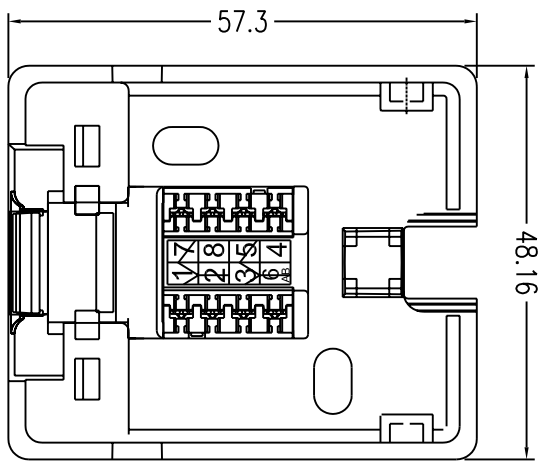
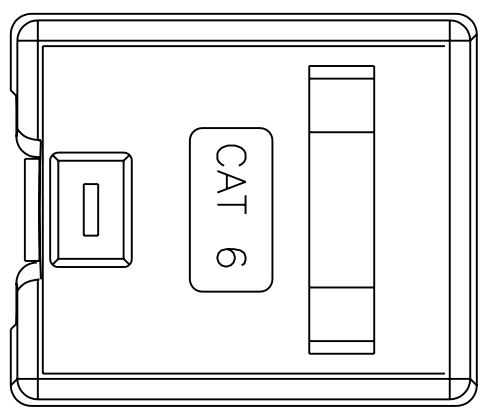


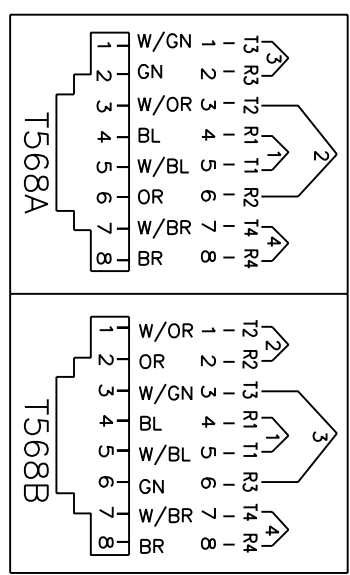
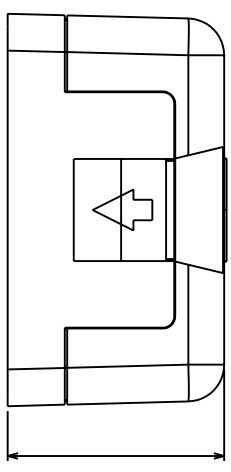
REVISIONS				
ZONE	REV	DESCRIPTION	DATE	APPROVED
	1			
	2			
	3			
	4			



Cat 6
UL CERTIFIED

US LISTED


ACCORDING TO TIA/EIA-568-B-2-1
 REQUIREMENTS
 FILE NO. E145249



MATERIALS: ABS UL94V-0
 COLOR: WHITE

OPTIONS: IVORY.....

- ENCLOSURE: K5 6 X 20mm SCREW X 2
 CLEAR COVER X 1
 WHITE PAPER X 1
 NYLON CABLE TIE X 1
 DOUBLE STICKER X 1(55 X 45mm)

COMMON TOLERANCE		SHEET OF		ALL COPY RIGHTS RESERVED	
CLASS	A	B	SIZE	A4	 DAN-CHIEF ENTERPRISE CO.,LTD.
DIMENSION	±0.05	±0.1	DIA	mm	TITLE
L<=3	±0.05	±0.1	SCALE		2001AD-EI8-C6ABL-XX
3<L<=6	±0.05	±0.1	DATE	2004.02.10	DRAWING NO.
6<L<=16	±0.1	±0.15	DESIGN		A2-177
16<L<=30	±0.1	±0.2	DRAWN		CHECKED
30<L<=120	±0.15	±0.3			
120<L<=315	±0.2	±0.5			