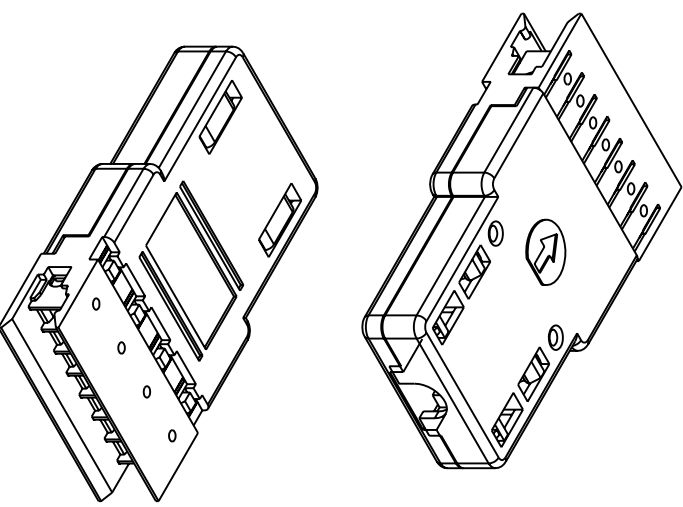
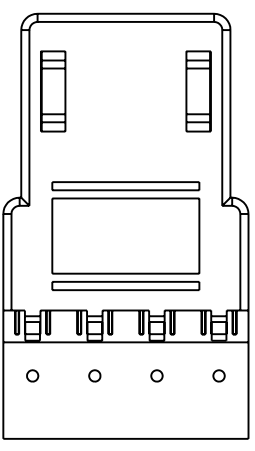
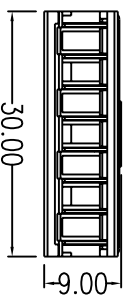
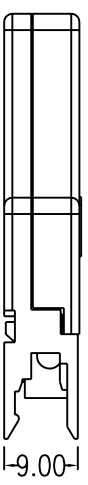
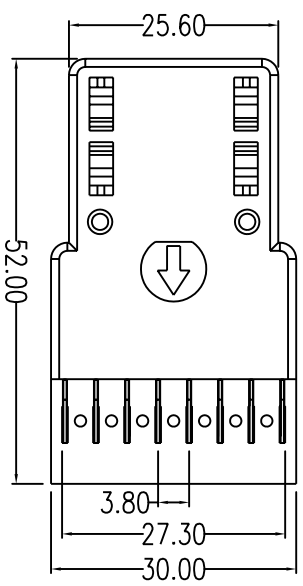


REVISIONS				
ZONE	REV	DESCRIPTION	DATE	APPROVED
	Δ			
	Δ			
	Δ			



MATERIALS
 PLASTIC: PC UL94V-0
 CONTACT: PHOSPHOR BRONZE C5191R-H
 PLATING: Ni40 μ"min, PARTIALLY: Au2u"Min
 TEMPERATURE: -40°C ~ 70°C
 HUMIDITY: 10% ~ 90% RH

COMMON TOLERANCE			SHEET OF		ALL COPY RIGHTS RESERVED	
CLASS	A	B	SIZE	A4	DCE DAN-CHIEF ENTERPRISE CO., LTD.	
DIMENSION	±0.05	±0.1	DIA	mm	TITLE	
L <= 3	±0.05	±0.1	SCALE	1:1	110PC4A	
3 < L <= 6	±0.05	±0.1	DATE	2004.02.04	DRAWING NO.	
6 < L <= 16	±0.1	±0.15	DESIGN		OID-017	
16 < L <= 30	±0.1	±0.2	DRAWN		CHECKED	
30 < L <= 120	±0.15	±0.3				
120 < L <= 315	±0.2	±0.5				