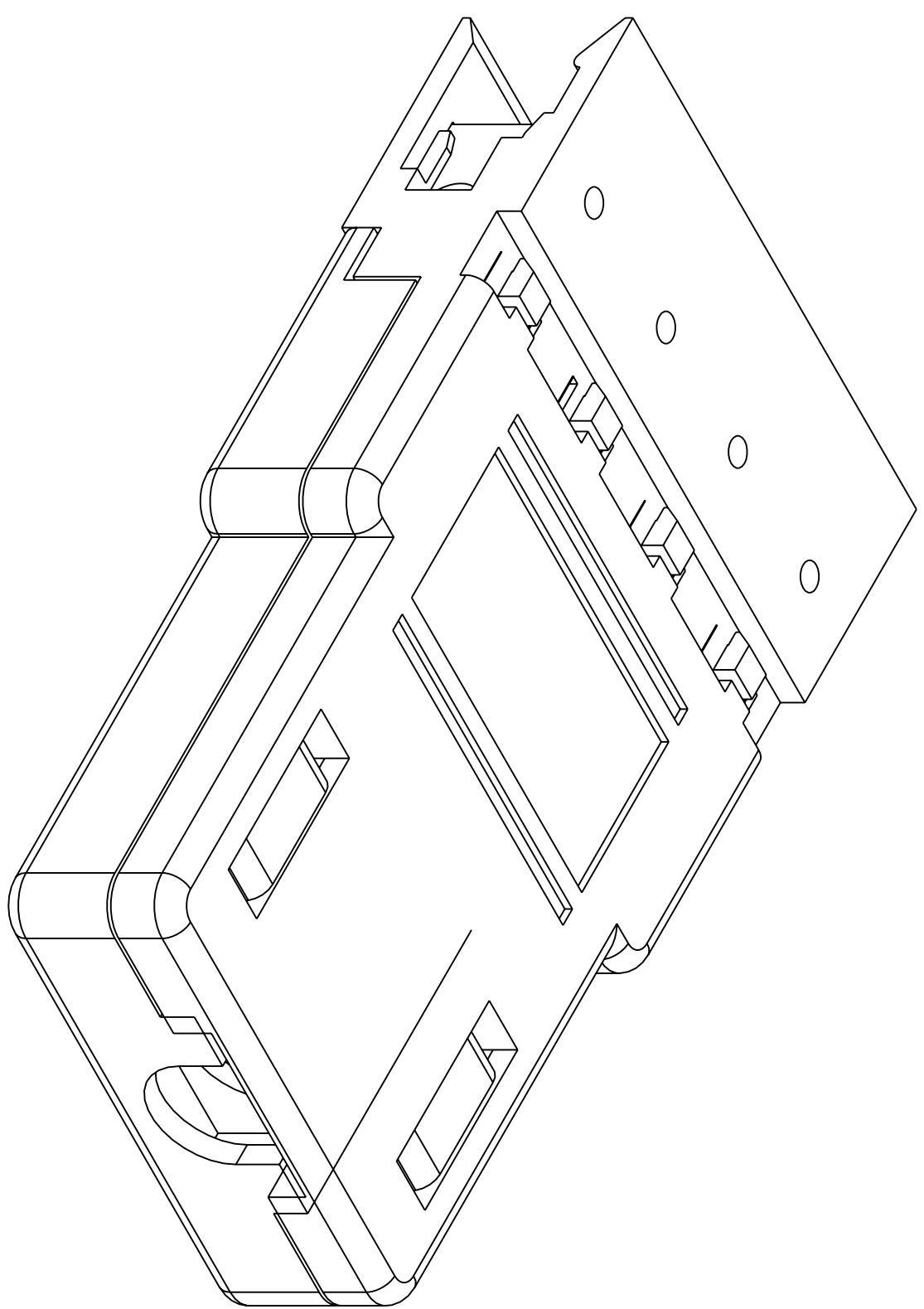
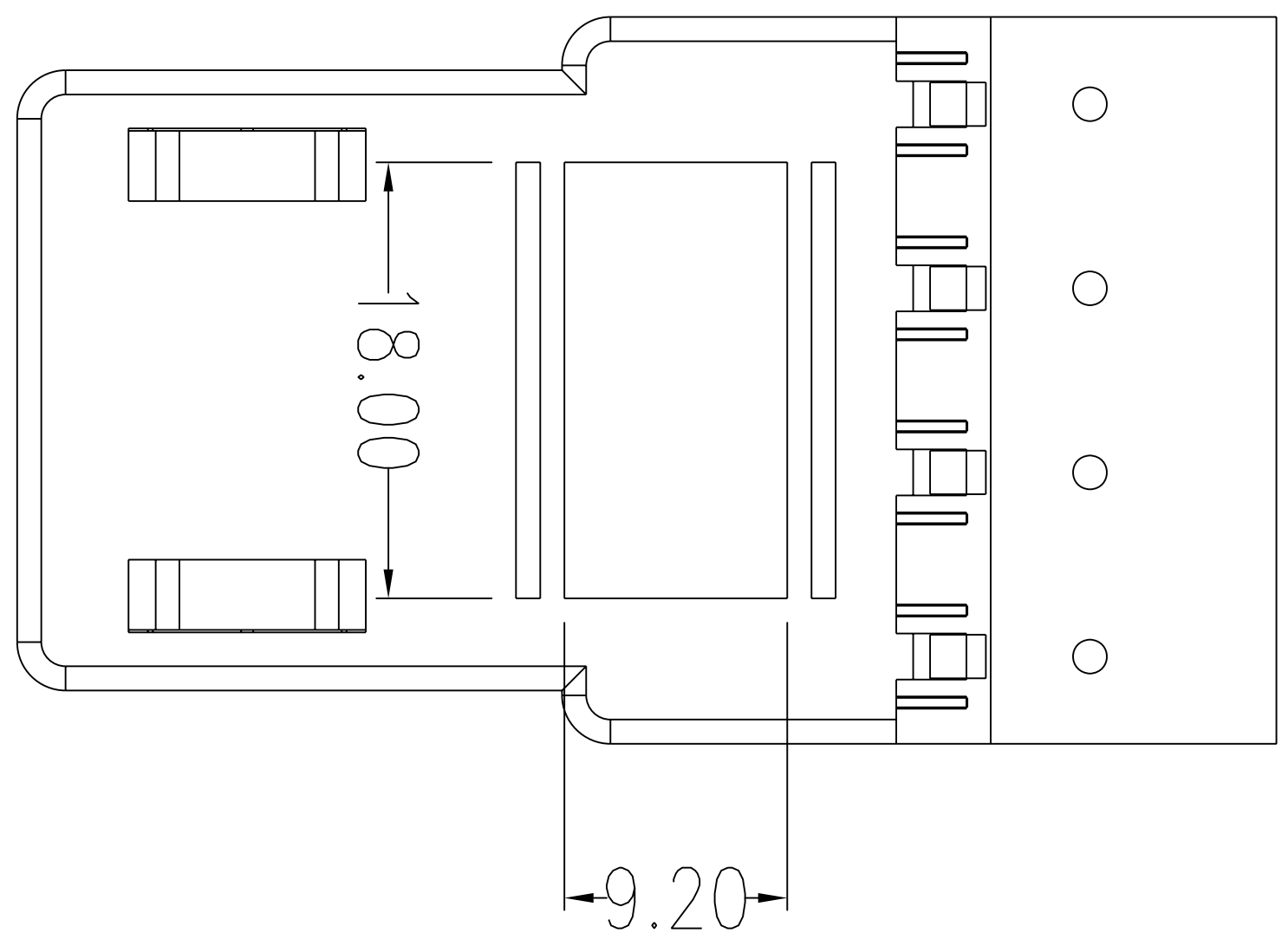
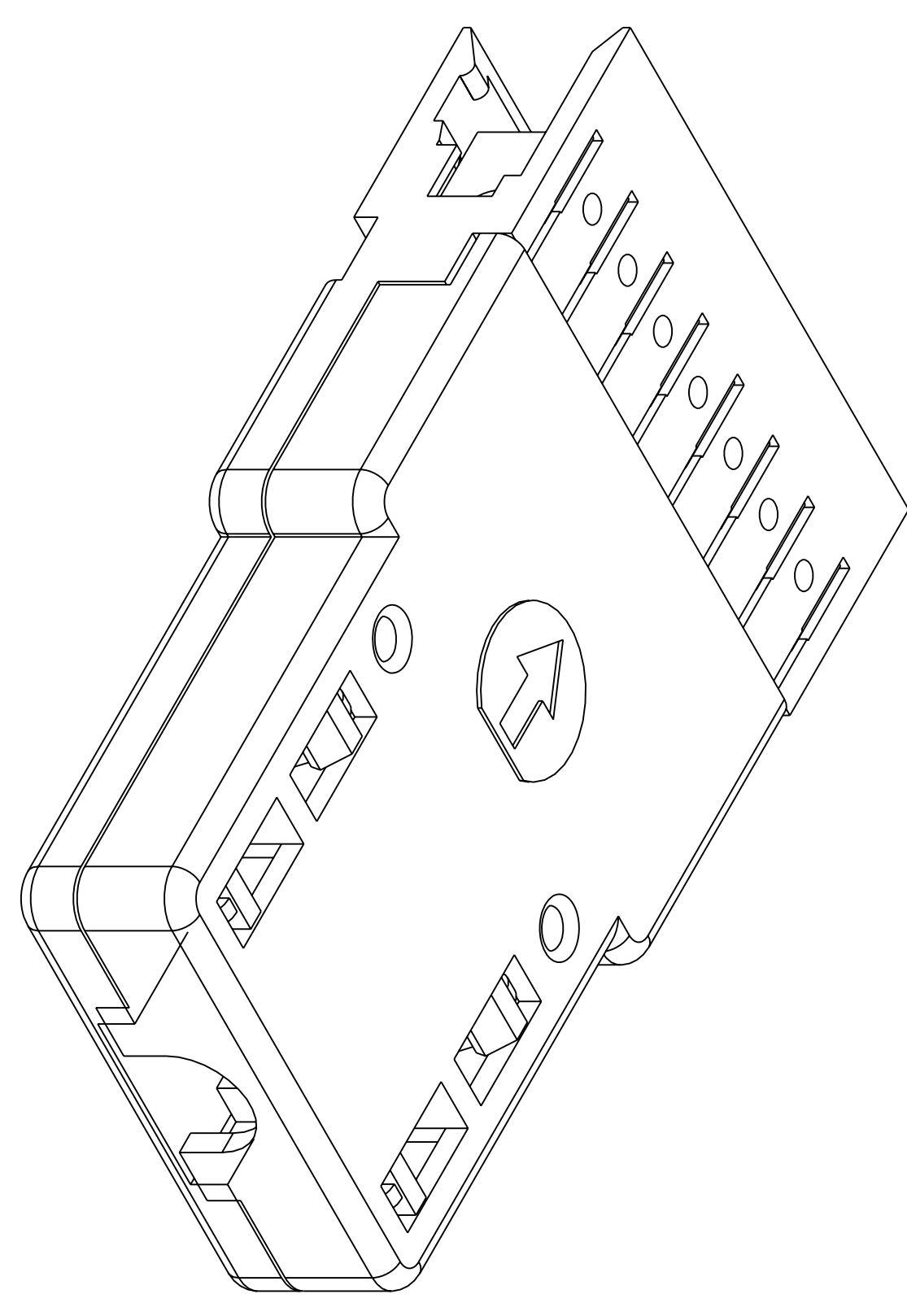
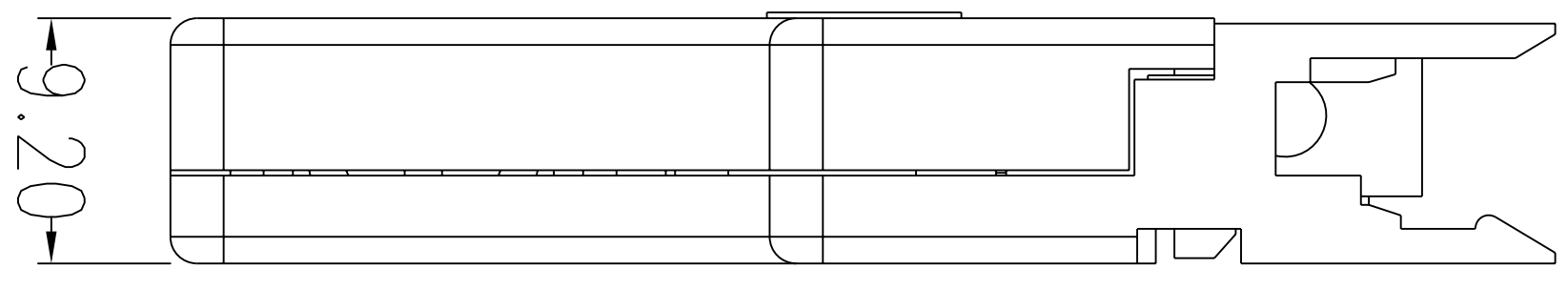
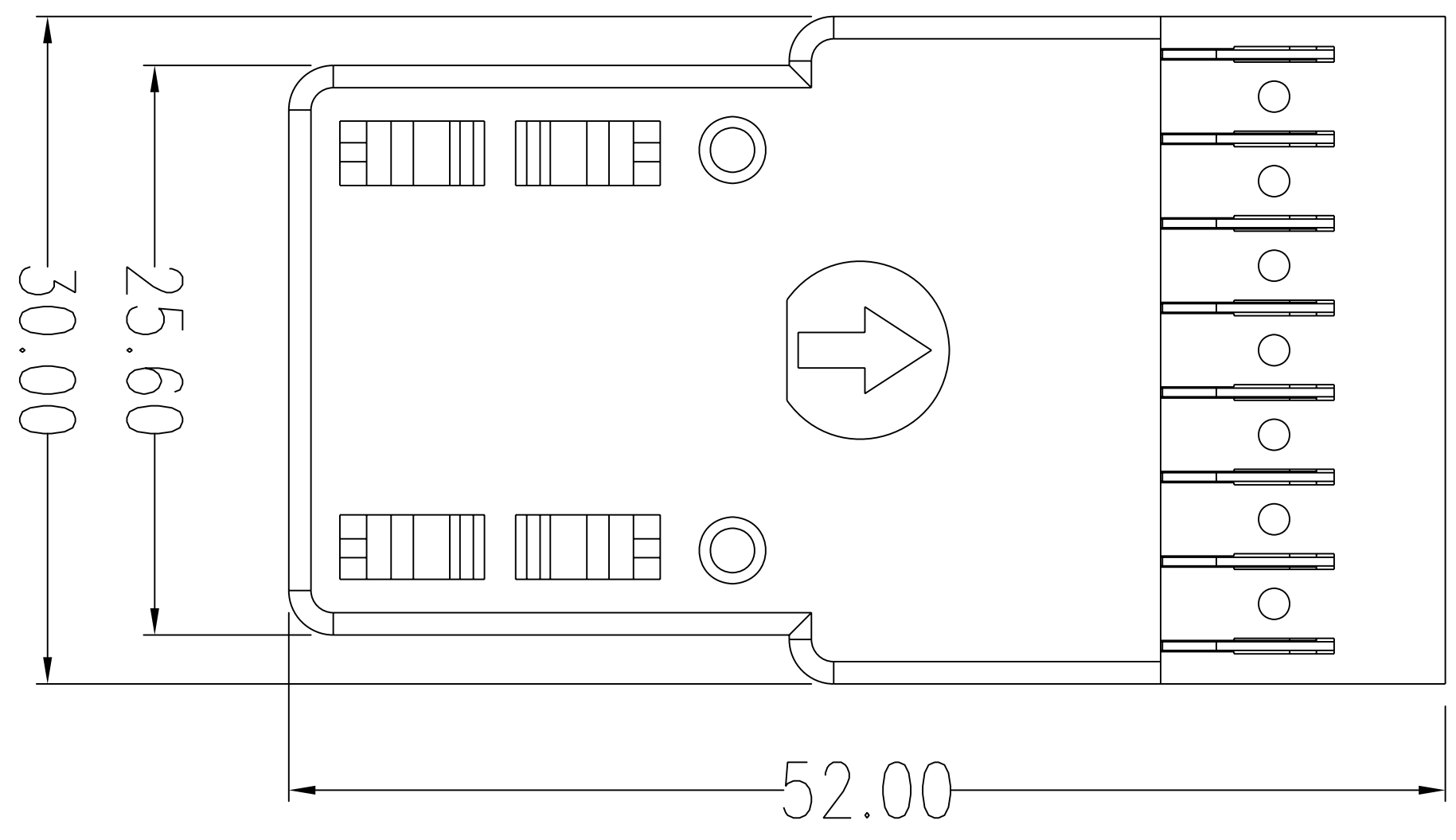
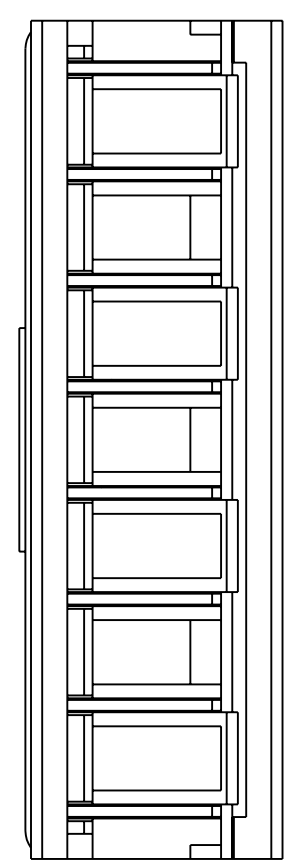


REVISIONS				
ZONE	REV	DESCRIPTION	DATE	APPROVED
	1			
	2			



**MATERIALS**

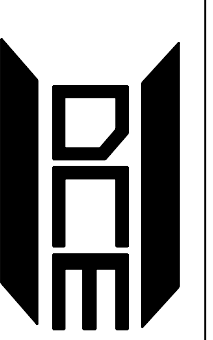
PLASTIC: PC UL94V-0

CONTACT: PHOSPHOR BRONZE C5191R-H

PLATING: Ni40 u"min, PARTIALLY: Au2u"Min

TEMPERATURE: -40°C ~ 70°C

HUMIDITY: 10% ~ 90% RH

COMMON TOLERANCE		SHEET OF		ALL COPY RIGHTS RESERVED	
CLASS	A	B	SIZE	A4	 <b>DAN-CHIEF ENTERPRISE CO., LTD.</b>
DIMENSION	L ≤ 3 ±0.05	±0.1	DIA	mm	
	3 < L ≤ 6 ±0.05	±0.1	SCALE	1:1	TITLE  <b>110PC4B</b>
	6 < L ≤ 16 ±0.1	±0.15	DATE	2003.11.25	
	16 < L ≤ 30 ±0.1	±0.2	DRAWING NO.	<b>G-003-2</b>	
	30 < L ≤ 120 ±0.15	±0.3	DESIGN		CHECKED
	120 < L ≤ 315 ±0.2	±0.5	DRAWN		