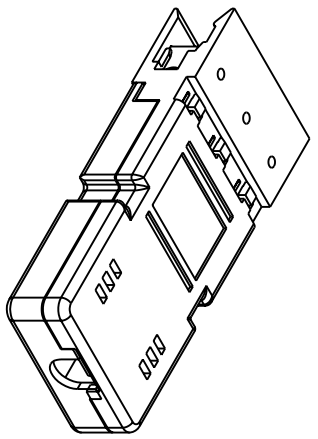
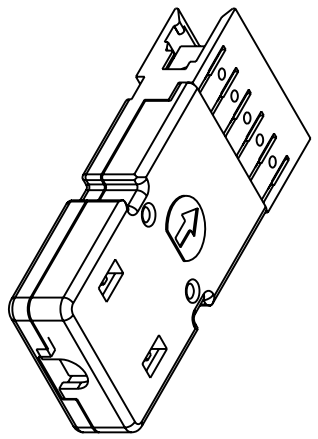
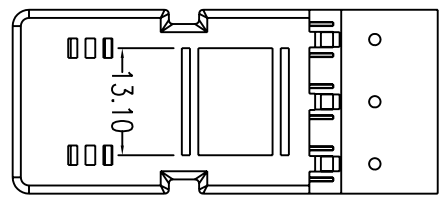
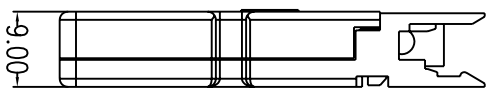
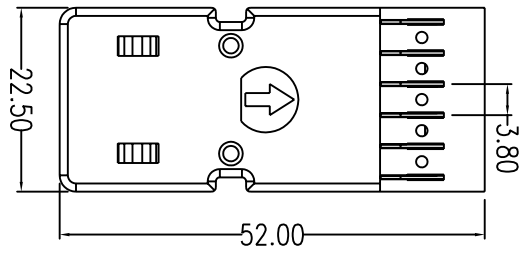
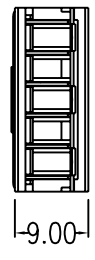


REVISIONS				
ZONE	REV	DESCRIPTION	DATE	APPROVED
	Δ			
	Δ			
	Δ			



**MATERIALS**  
 PLASTIC: PC UL94V-0  
 CONTACT: PHOSPHER BRONZE C5191R-H  
 PLATING: Ni40 u"min, PARTIALLY: Au2u"Min  
 TEMPERATURE: -40°C ~ 70°C  
 HUMIDITY: 10% ~ 90% RH

COMMON TOLERANCE		SHEET	OF	ALL COPY RIGHTS RESERVED	
CLASS	A	SIZE	A4	DCE DAN-CHIEF ENTERPRISE CO., LTD.	
DIMENSION	±0.05	DIA	mm	TITLE	
L <= 3	±0.1	SCALE	1:1	110PC3A	
3 < L <= 6	±0.05	DATE	2004.02.04	DRAWING NO.	OID-027
6 < L <= 16	±0.1	DESIGN		DRAWN	CHECKED
16 < L <= 30	±0.1				
30 < L <= 120	±0.15				
120 < L <= 315	±0.2				