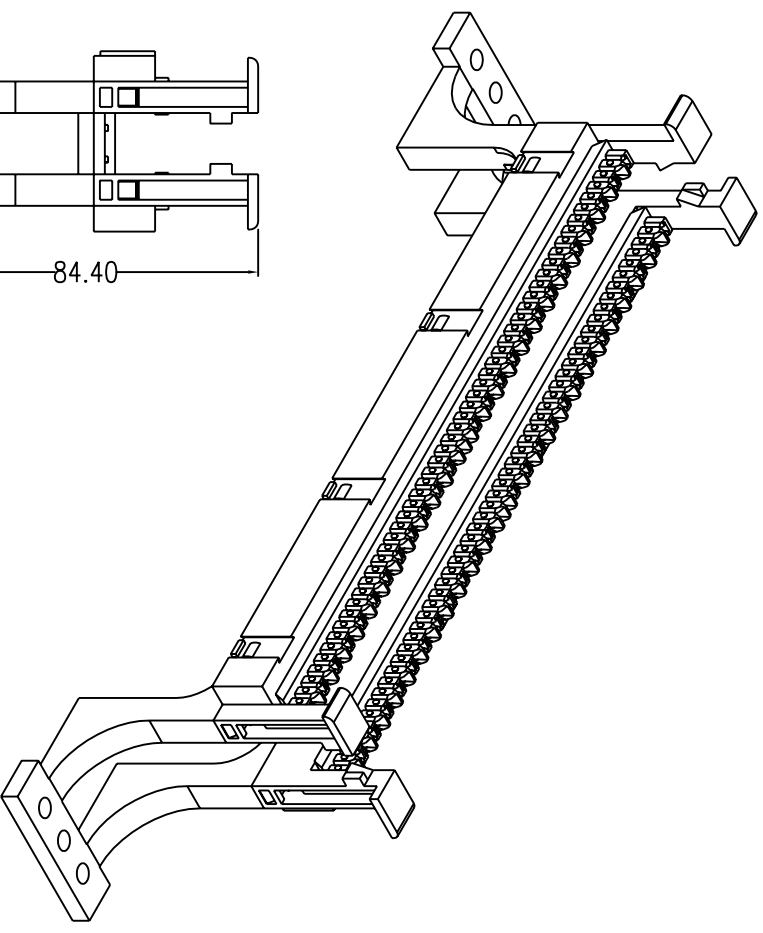
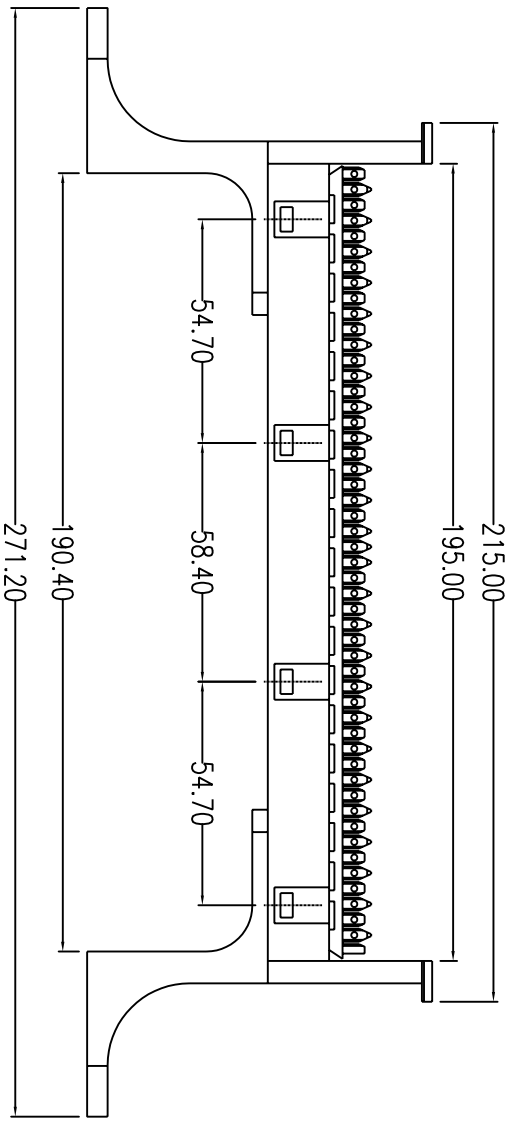
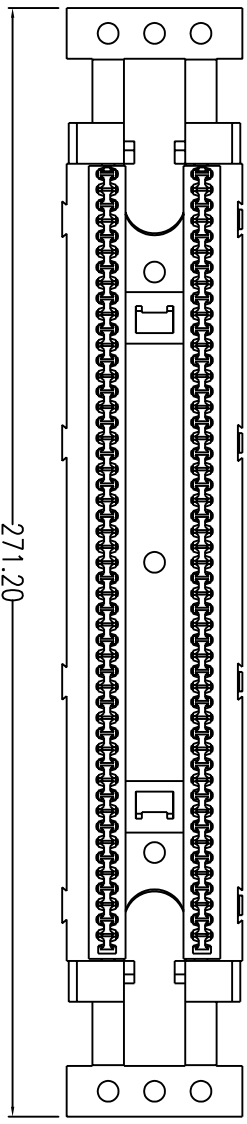


REVISIONS				
ZONE	REV	DESCRIPTION	DATE	APPROVED
	Δ			
	Δ			
	Δ			



MATERIAL: PC UL94V-0

ENCLOSURE:
ID LABEL HOLDER X 2 PCS
ID LABEL X 2 PCS

COMMON TOLERANCE		SHEET	OF	ALL COPY RIGHTS RESERVED	
CLASS	A	SIZE	A4	DCE DAN-CHIEF ENTERPRISE CO., LTD.	
DIMENSION		DIA	mm	TITLE	
L <= 3	±0.05			110BW50A	
3 < L <= 6	±0.05			DRAWING NO. O1D-010-5	
6 < L <= 16	±0.1	SCALE	1:2	DRAWN	
16 < L <= 30	±0.1	DATE	2003.10.14	CHECKED	
30 < L <= 120	±0.15	DESIGN			
120 < L <= 315	±0.2				