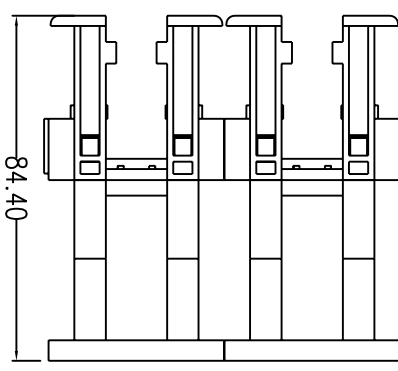
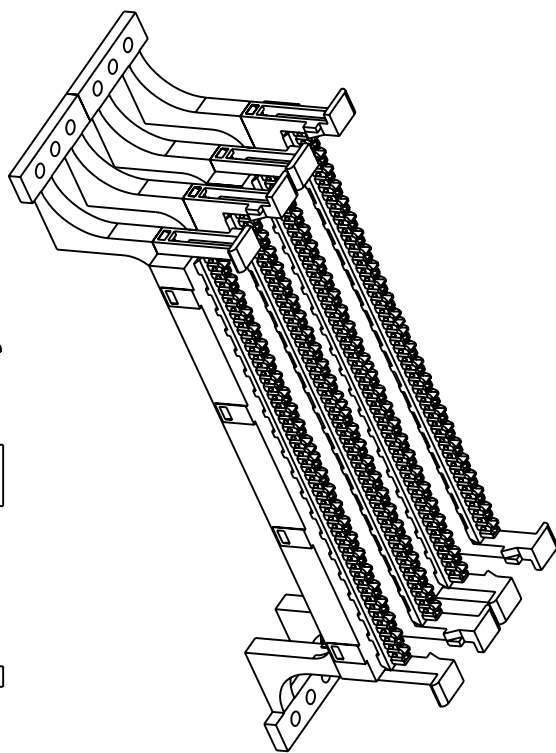
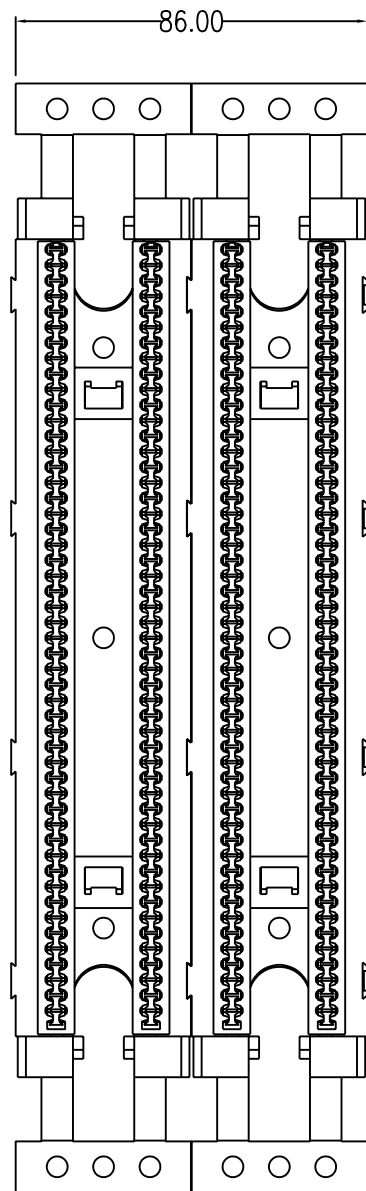
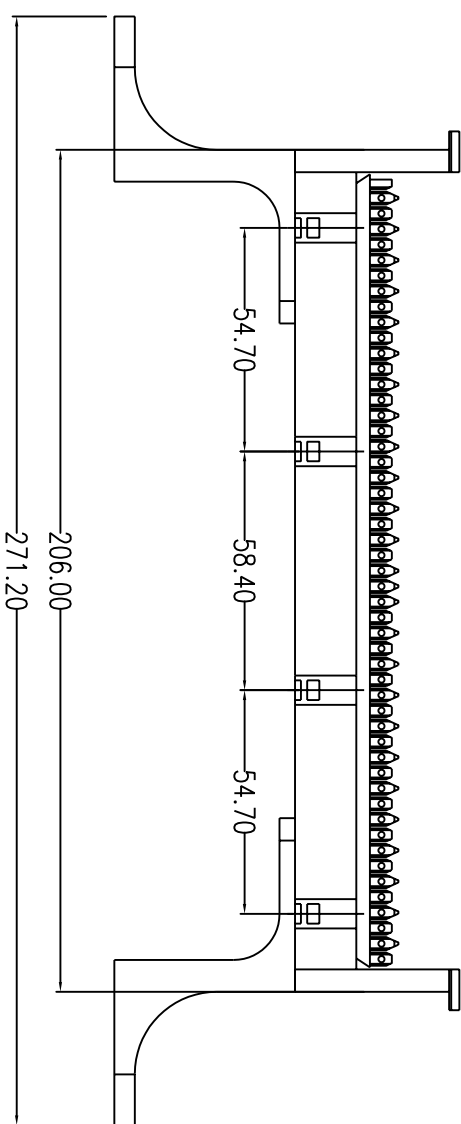


REVISIONS				
ZONE	REV	DESCRIPTION	DATE	APPROVED
	Δ			
	Δ			
	Δ			



MATERIAL:PC UL94V-0

ENCLOSURE:  
 ID LABEL HOLDER X 2 PCS  
 ID LABEL X 2 PCS

COMMON TOLERANCE		SHEET	OF	ALL COPY RIGHTS RESERVED	
CLASS	A	SIZE	A4	DCE DAN-CHIEF ENTERPRISE CO.,LTD.	
DIMENSION	±0.05	DIA	mm	TITLE	
L <= 3	±0.05			110BW100A	
3 < L <= 6	±0.05	SCALE	1:2	DRAWING NO.	OID-010-3
6 < L <= 16	±0.1	DATE	2004.02.10	DRAWN	CHECKED
16 < L <= 30	±0.1	DESIGN			
30 < L <= 120	±0.15				
120 < L <= 315	±0.2				