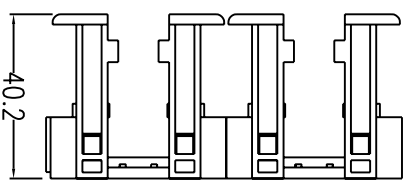
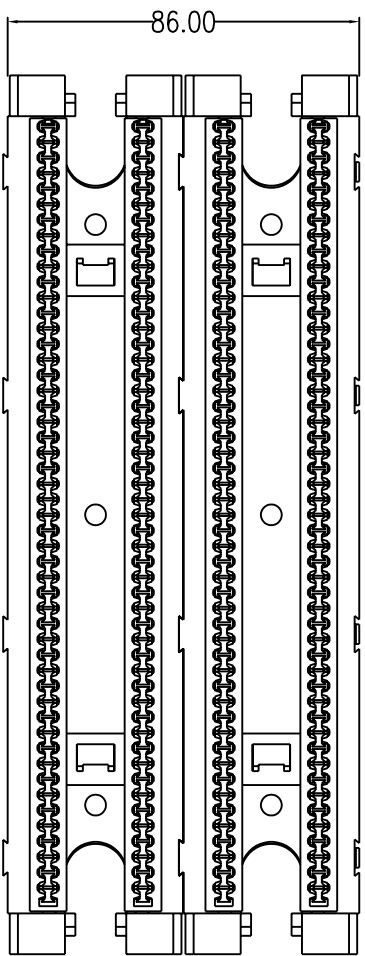
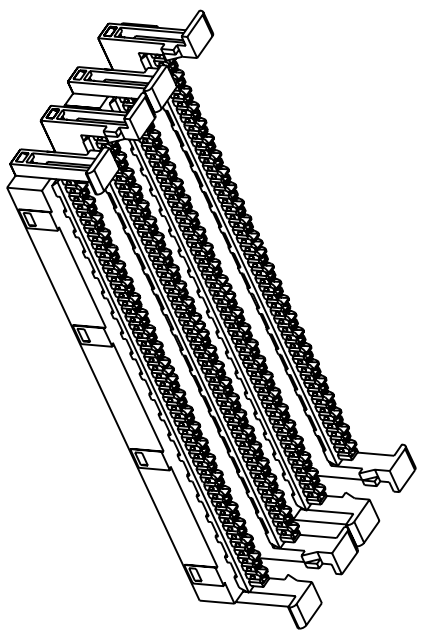
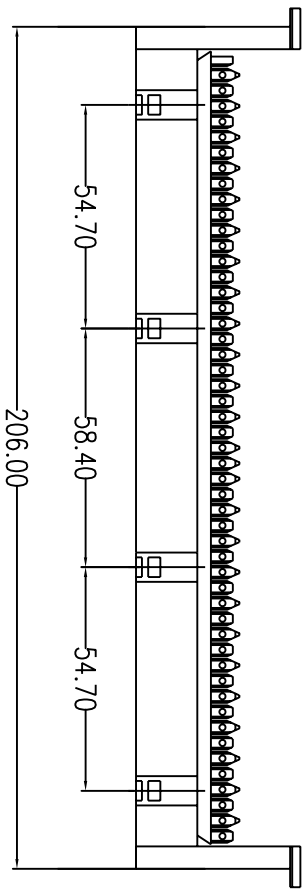


REVISIONS				
ZONE	REV	DESCRIPTION	DATE	APPROVED
	Δ			
	Δ			
	Δ			



MATERIAL:PC UL94V-0

COMMON TOLERANCE		SHEET	OF	ALL COPY RIGHTS RESERVED	
CLASS	A	SIZE	A4	DCE DAN-CHIEF ENTERPRISE CO.,LTD.	
DIMENSION	±0.05	DIA	mm	TITLE	
L<=3	±0.1	SCALE	1:2	DRAWING NO.	
3<L<=6	±0.05	DATE	2004.02.10	110B100A	
6<L<=16	±0.1	DESIGN		DRAWN	
16<L<=30	±0.1	CHECKED			
30<L<=120	±0.15				
120<L<=315	±0.2				