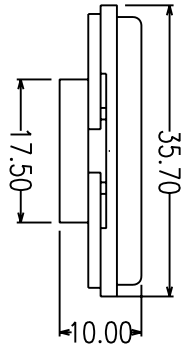
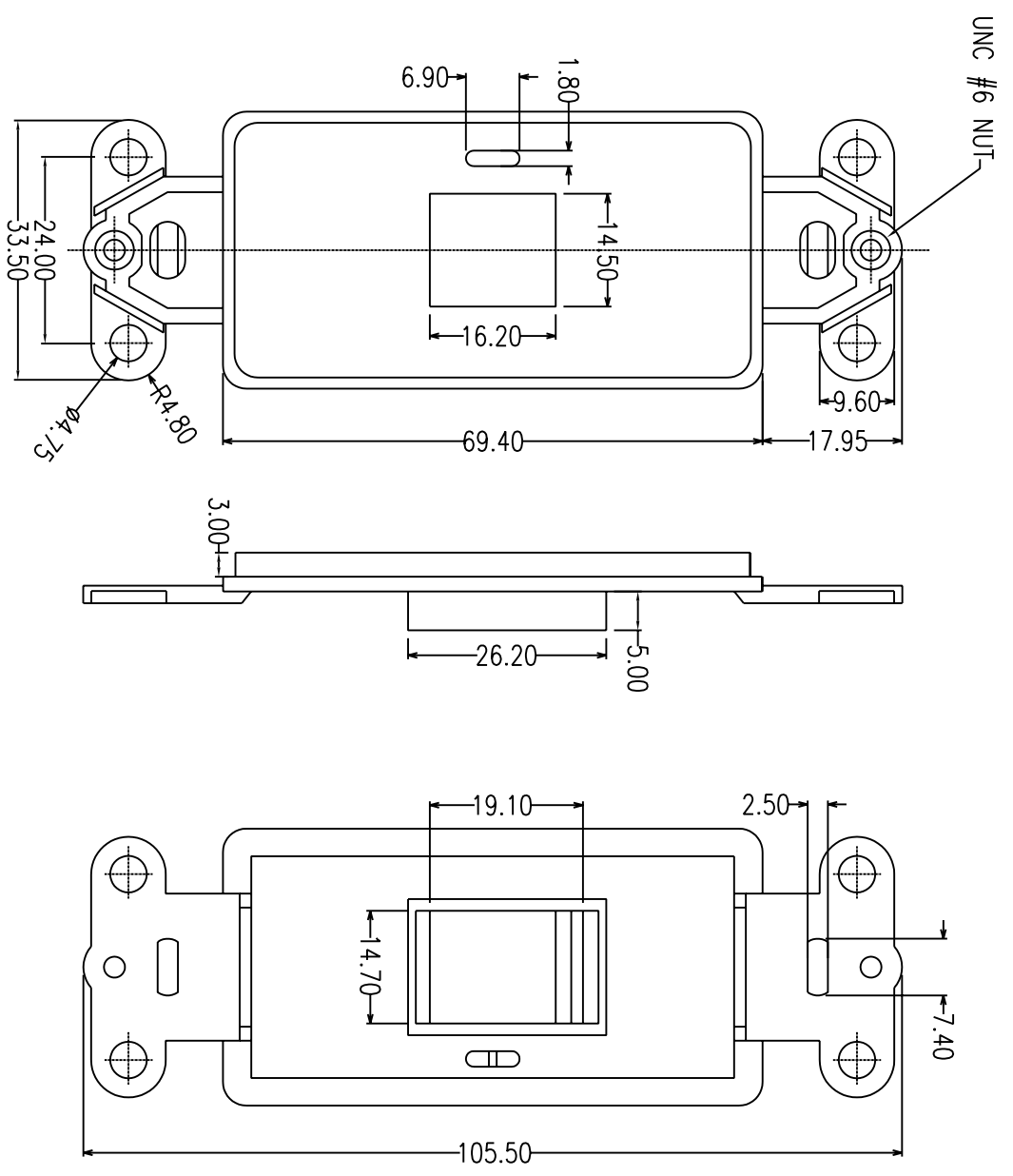


REVISIONS				
ZONE	REV	DESCRIPTION	DATE	APPROVED
	1			
	2			
	3			
	4			



**MATERIAL**

Housing: ABS, UL 94V-0  
 COLOR: WHITE, IVORY .....

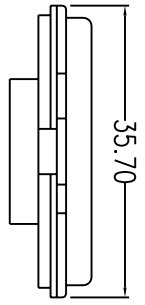
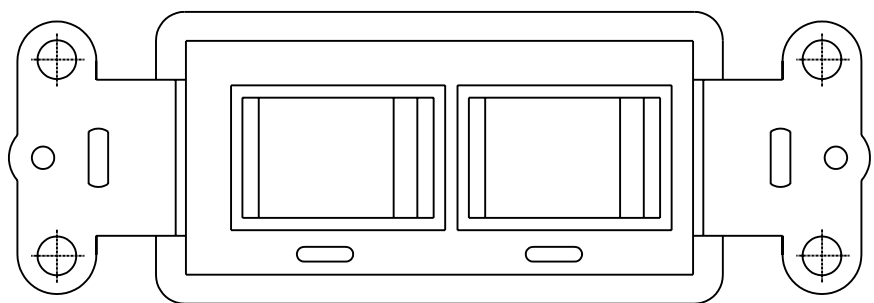
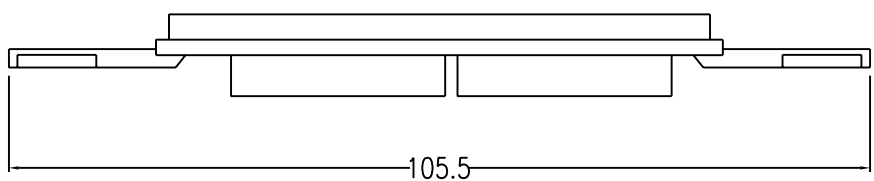
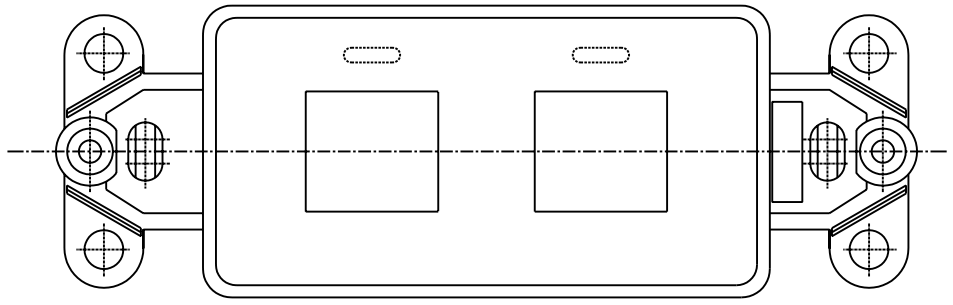
**ENCLOSURE:**

 K4 6x25mm SCREW X 2



COMMON TOLERANCE		SHEET	OF	ALL COPY RIGHTS RESERVED	
CLASS	A	SIZE	A4	DCE DAN-CHIEF ENTERPRISE CO., LTD.	
DIMENSION	±0.05	DIA	mm	TITLE	
L <= 3	±0.1	SCALE	1:1	DRAWING NO. B-145	
3 < L <= 6	±0.05	DATE	2004.10.26	DRAWN	
6 < L <= 16	±0.1	DESIGN		CHECKED	
16 < L <= 30	±0.1				
30 < L <= 120	±0.15				
120 < L <= 315	±0.2				

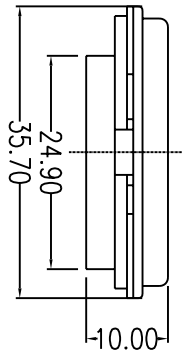
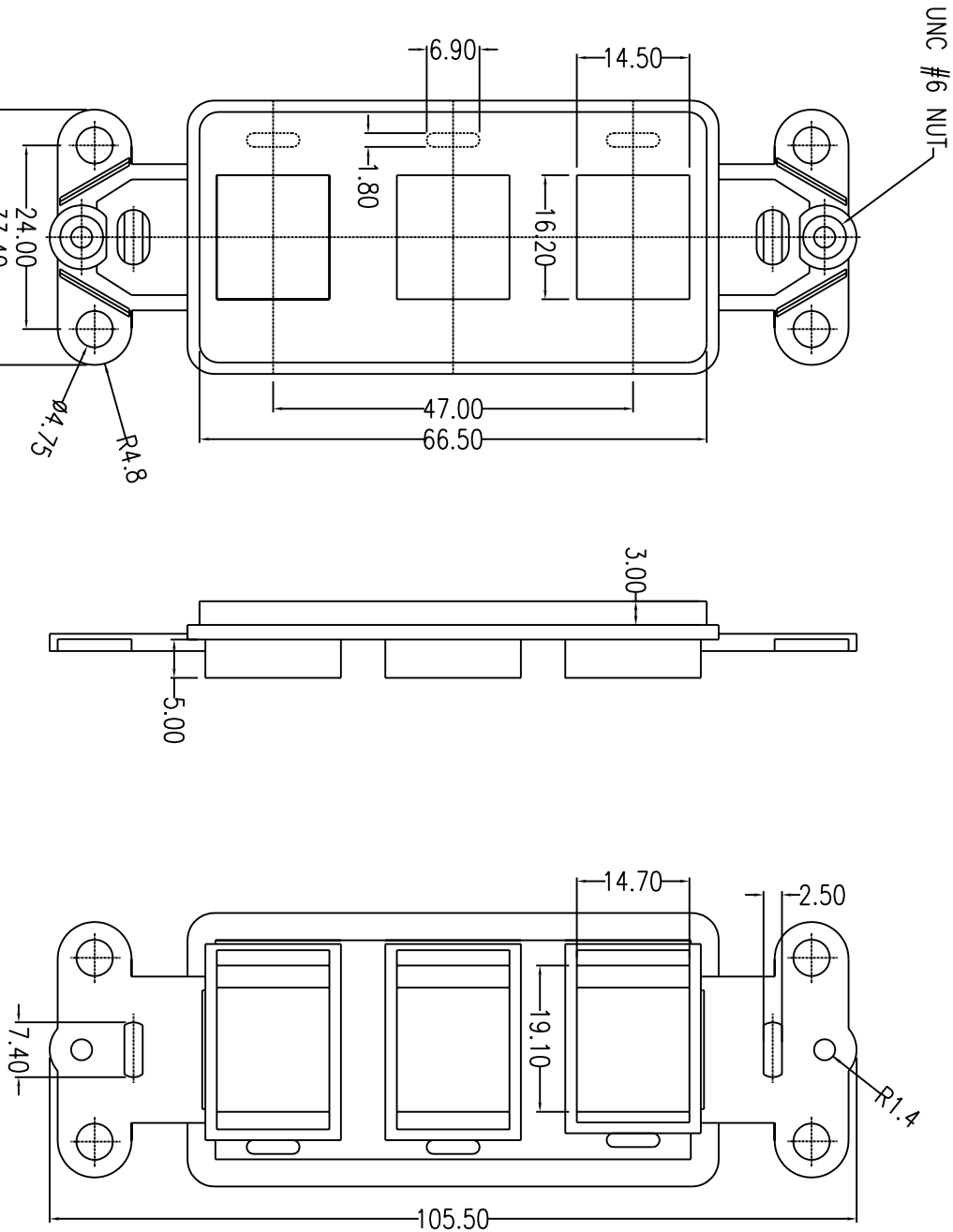
REVISIONS				
ZONE	REV	DESCRIPTION	DATE	APPROVED
	1			
	2			
	3			
	4			
	5			
	6			
	7			
	8			
	9			
	10			
	11			
	12			
	13			
	14			
	15			
	16			
	17			
	18			
	19			
	20			
	21			
	22			
	23			
	24			
	25			
	26			
	27			
	28			
	29			
	30			
	31			
	32			
	33			
	34			
	35			
	36			
	37			
	38			
	39			
	40			
	41			
	42			
	43			
	44			
	45			
	46			
	47			
	48			
	49			
	50			
	51			
	52			
	53			
	54			
	55			
	56			
	57			
	58			
	59			
	60			
	61			
	62			
	63			
	64			
	65			
	66			
	67			
	68			
	69			
	70			
	71			
	72			
	73			
	74			
	75			
	76			
	77			
	78			
	79			
	80			
	81			
	82			
	83			
	84			
	85			
	86			
	87			
	88			
	89			
	90			
	91			
	92			
	93			
	94			
	95			
	96			
	97			
	98			
	99			
	100			




MATERIALS:ABS UL94V0

COMMON TOLERANCE		SHEET	OF	ALL COPY RIGHTS RESERVED	
CLASS	A	SIZE	A4	DCE DAN-CHIEF ENTERPRISE CO.,LTD.	
DIMENSION	±0.05	DIA	mm	TITLE	
L <= 3	±0.05	SCALE	1:1	107-2P/N	
3 < L <= 6	±0.05	DATE	NOV.25.1999	DRAWING NO.	B-103-0
6 < L <= 16	±0.1	DESIGN		DRAWN	CHECKED
16 < L <= 30	±0.1				
30 < L <= 120	±0.15				
120 < L <= 315	±0.2				

REVISIONS				
ZONE	REV	DESCRIPTION	DATE	APPROVED
	1			
	2			
	3			



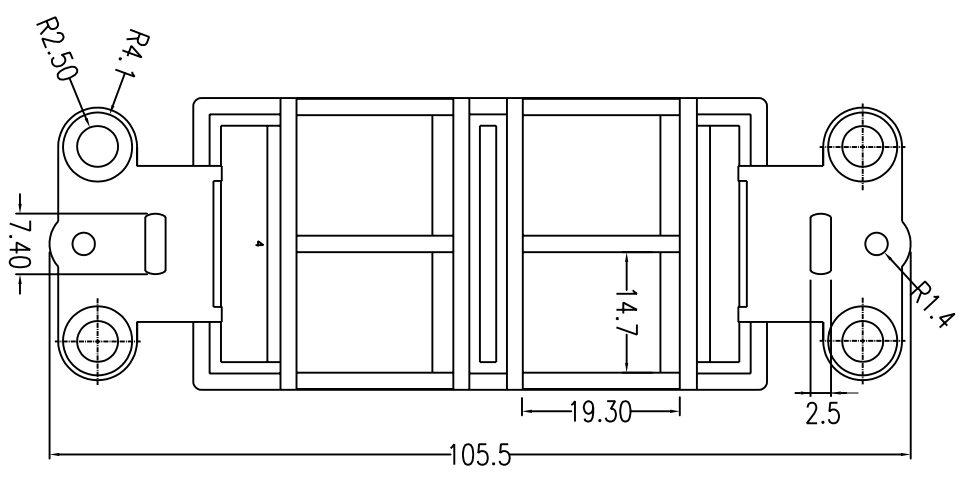
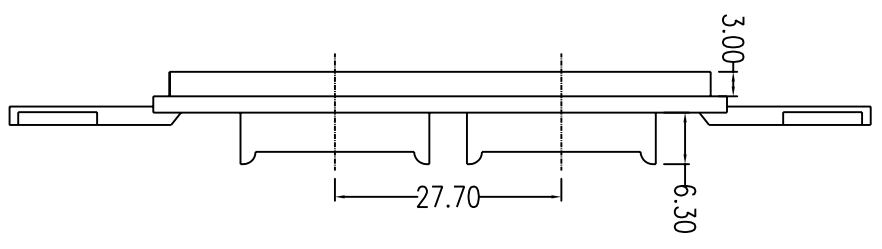
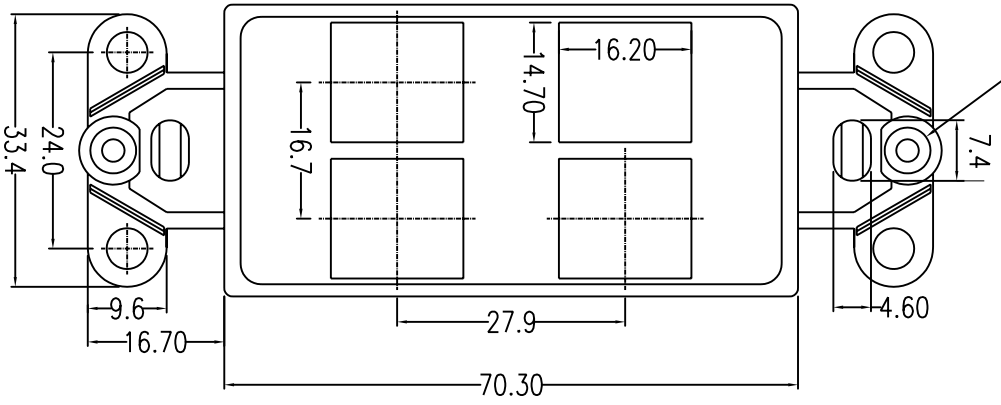
**MATERIAL**  
Housing: ABS, UL 94V-0  
COLOR: WHITE, IVORY, .....  
Temperature: -40°C ~ 68°C  
Humidity: 10% ~ 90% RH

**ENCLOSURE:**  
 K4 6x25mm SCREW X 2



COMMON TOLERANCE		SHEET	OF	ALL COPY RIGHTS RESERVED	
CLASS	A	SIZE	A4	DCE DAN-CHIEF ENTERPRISE CO., LTD.	
DIMENSION		DIA	mm	TITLE	
L <= 3	±0.05			107-3P/N	
3 < L <= 6	±0.05			DRAWING NO.	B-103-1
6 < L <= 16	±0.1	SCALE	1:1	DATE	2004.10.26
16 < L <= 30	±0.1			DRAWN	
30 < L <= 120	±0.15			CHECKED	
120 < L <= 315	±0.2	DESIGN			

UNC #6 NUT




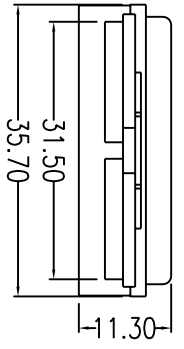
REVISIONS				
ZONE	REV	DESCRIPTION	DATE	APPROVED
	1			
	2			
	3			

**MATERIAL**

Housing: ABS, UL 94V-0  
 COLOR: WHITE, IVORY.....  
 Temperature: -40°C ~ 68°C  
 Humidity: 10% ~ 90% RH

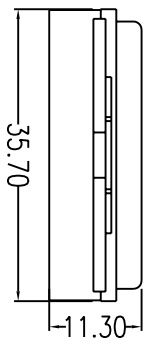
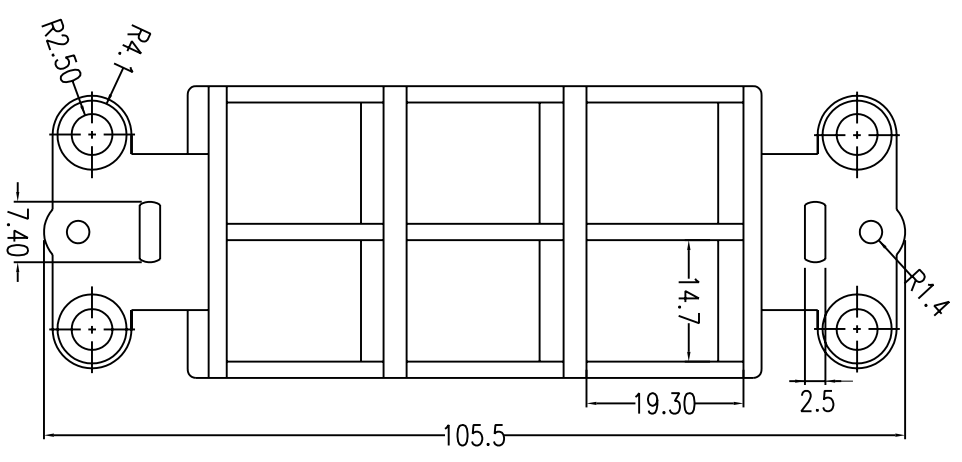
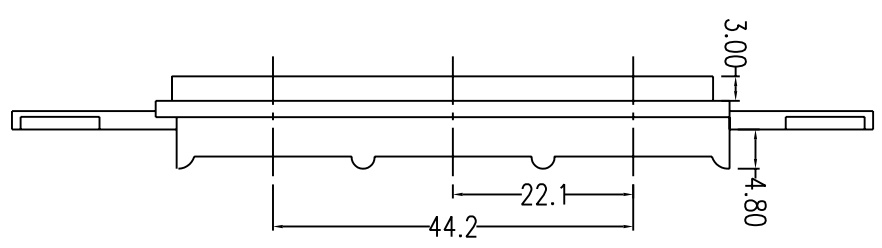
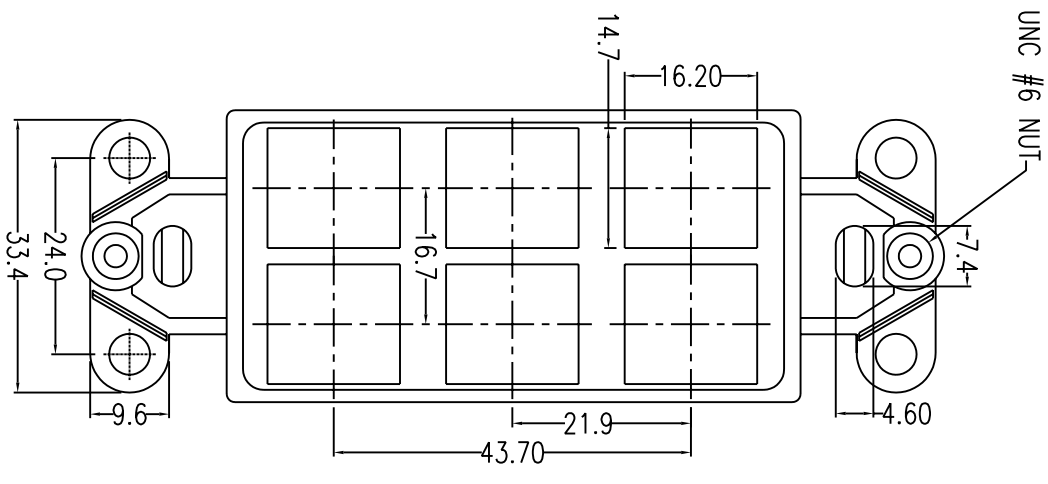
**ENCLOSURE:**

 K4 6x 25mm SCREW X 2



COMMON TOLERANCE		SHEET	OF	ALL COPY RIGHTS RESERVED	
CLASS	A	SIZE	A4	DCE DAN-CHIEF ENTERPRISE CO., LTD.	
DIMENSION	±0.05	DIA	mm	TITLE	
L <= 3	±0.05	SCALE	1:1	107-4P/N	
3 < L <= 6	±0.05	DATE	2004.10.26	DRAWING NO.	B-103-2
6 < L <= 16	±0.1	DESIGN		DRAWN	
16 < L <= 30	±0.1	CHECKED			
30 < L <= 120	±0.15				
120 < L <= 315	±0.2				


REVISIONS				
ZONE	REV	DESCRIPTION	DATE	APPROVED
	1			
	2			
	3			



**MATERIAL**

Housing: ABS, UL 94V-0  
 COLOR: WHITE, IVORY.....  
 Temperature: -40°C ~ 68°C  
 Humidity: 10% ~ 90% RH

**ENCLOSURE:**

 K4 6x 25mm SCREW X 2



COMMON TOLERANCE		SHEET	OF	ALL COPY RIGHTS RESERVED	
CLASS	A	SIZE	A4	DCE DAN-CHIEF ENTERPRISE CO., LTD.	
DIMENSION	±0.05	DIA	mm	TITLE	
L <= 3	±0.1	SCALE	1:1	107-6P/N	
3 < L <= 6	±0.05	DATE	2004.10.26	DRAWING NO.	B-103-3
6 < L <= 16	±0.1	DESIGN		DRAWN	CHECKED
16 < L <= 30	±0.1				
30 < L <= 120	±0.15				
120 < L <= 315	±0.2				