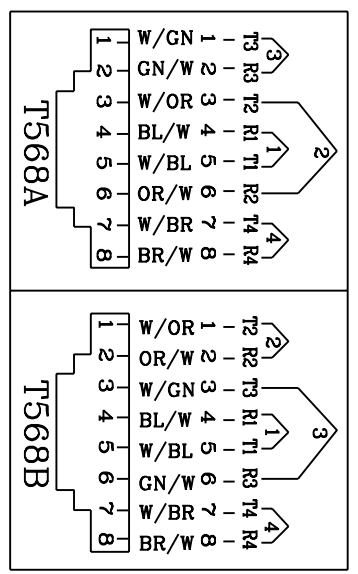
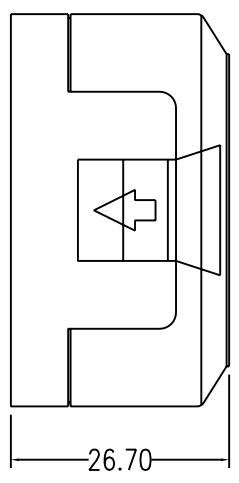
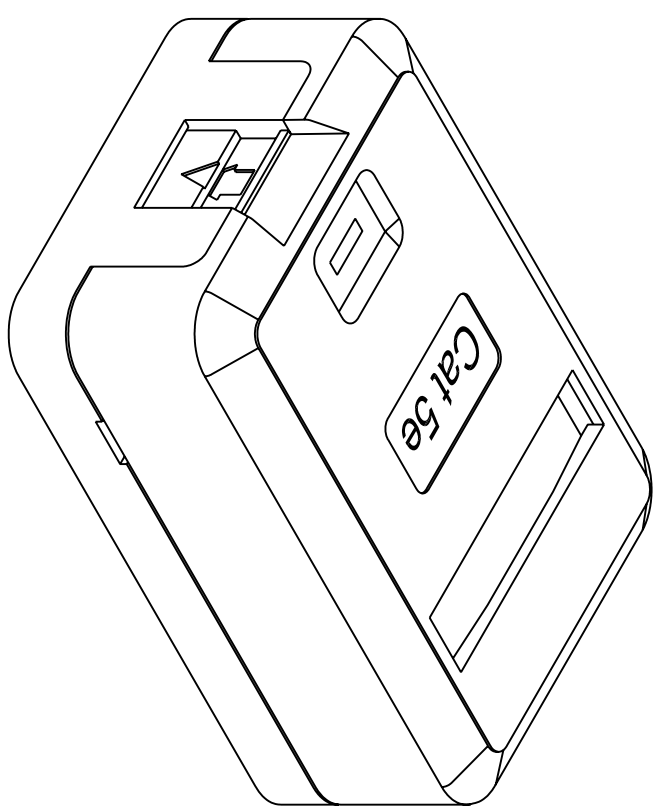
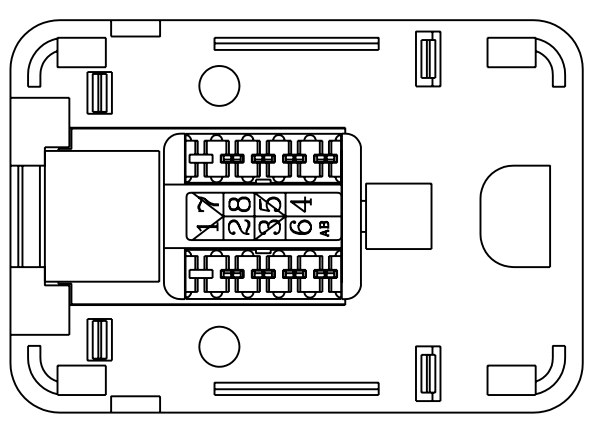
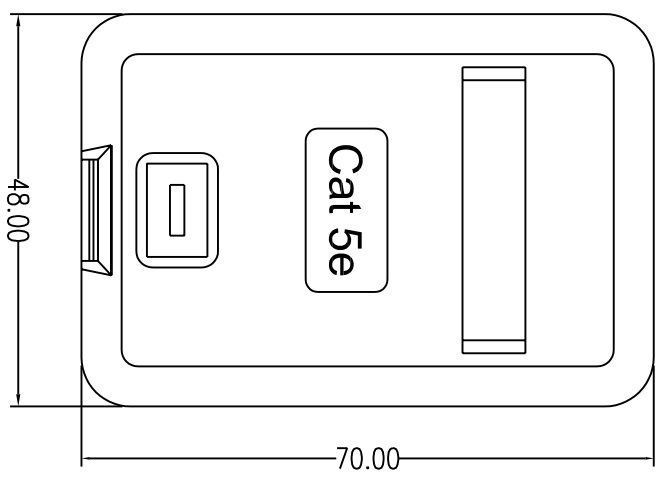


REVISIONS				
ZONE	REV	DESCRIPTION	DATE	APPROVED



MATERIALS: ABS UL94V-0
 COLOR: WHITE
 OPTIONS: IVORY.....
 ENCLOSURE: K5 6 X 20mm SCREW X 2
 CLEAR COVER X 1
 WHITE PAPER X 1
 NYLON CABLE TIE X 1
 DOUBLE STICKER X 1(55 X 45mm)

COMMON TOLERANCE		SHEET 1 OF 1		ALL COPY RIGHTS RESERVED	
CLASS	A	B	SIZE	DCE DAN-CHEF ENTERPRISE CO.,LTD.	
DIMENSION	±0.06/±0.1	±0.1	A4	TITLE	
L<=3	±0.06/±0.1	±0.1	DIA	1000DA-8-C5eABLXX	
3<L<=6	±0.06/±0.1	±0.1	SCALE	DRAWING NO.	
6<L<=16	±0.1/±0.15	±0.15	DATE	A1-194	
16<L<=30	±0.1/±0.2	±0.2	DESIGN	DRAWN	
30<L<=120	±0.15/±0.3	±0.3		CHECKED	
120<L<=315	±0.2	±0.5			